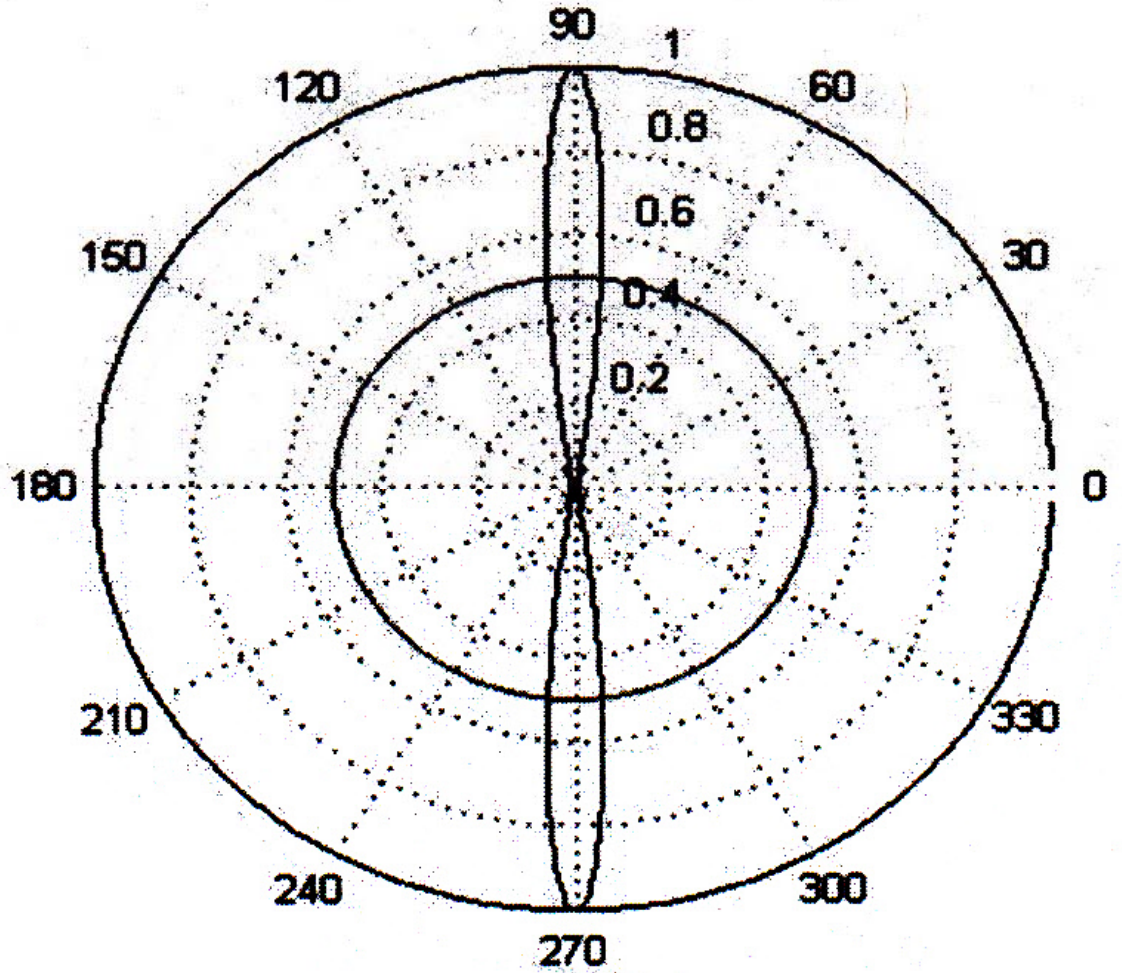
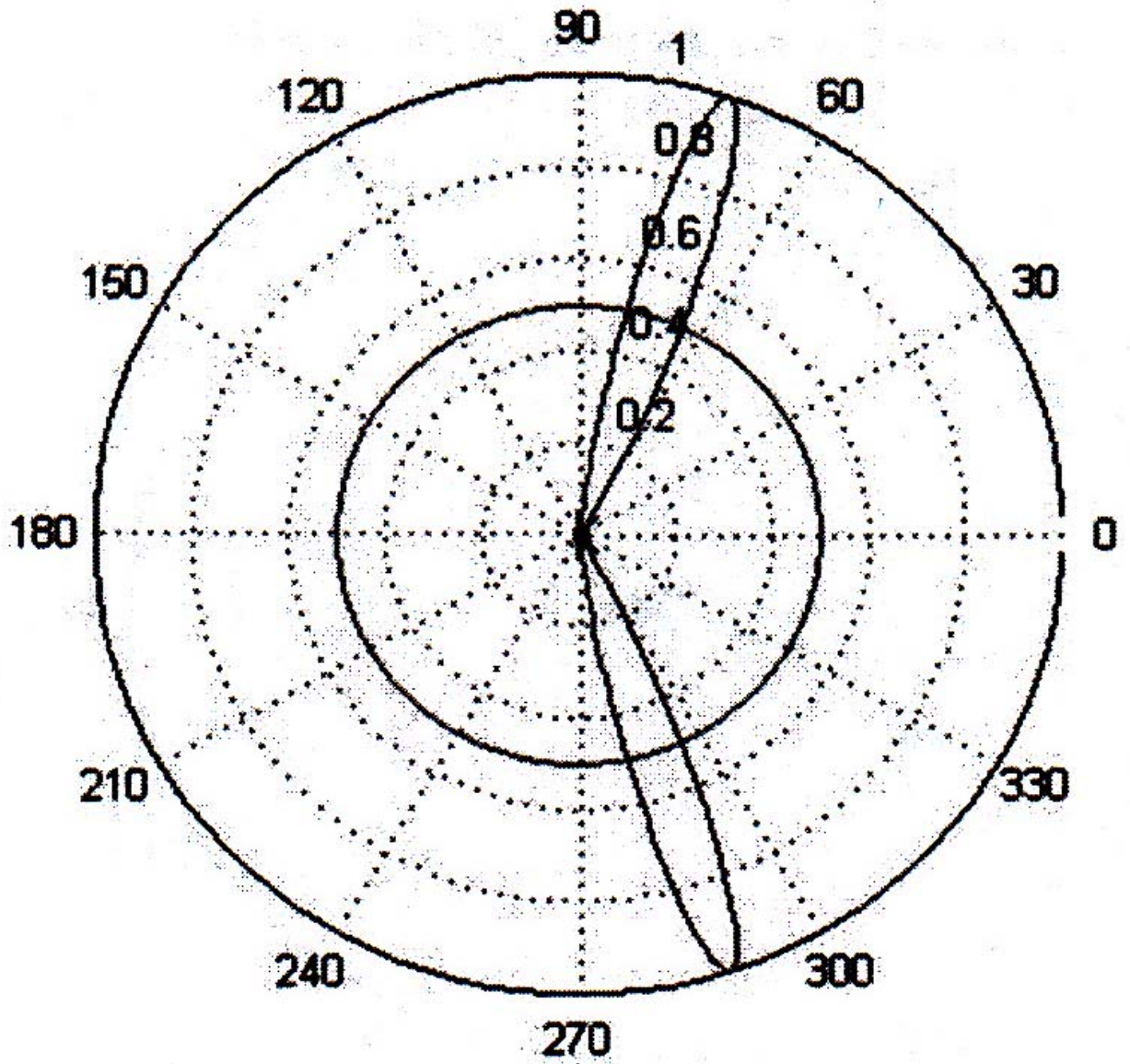


Problem 16)

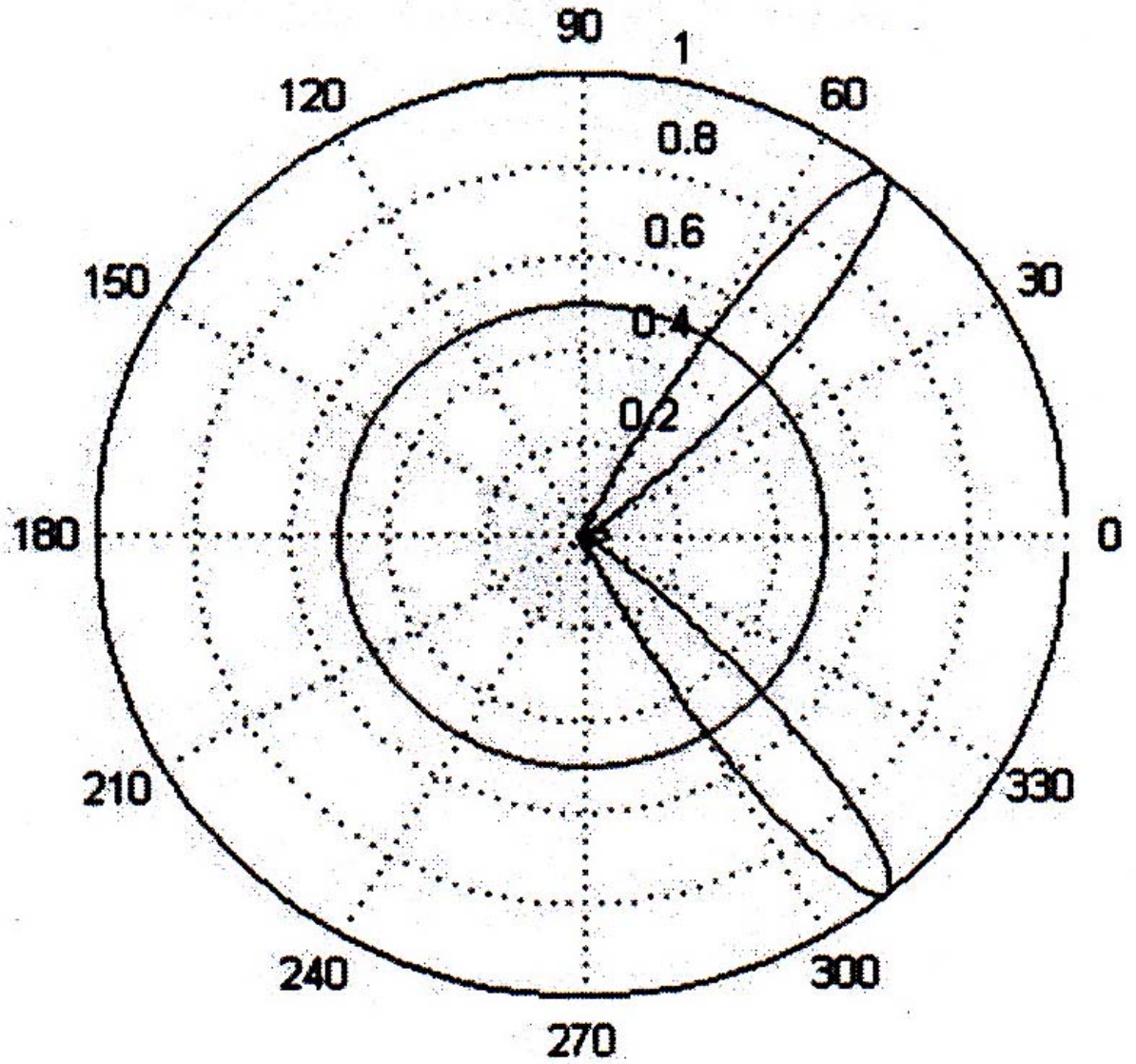
$N=10, L=0.5\lambda, dx=0.4\lambda, \alpha=0$  degrees



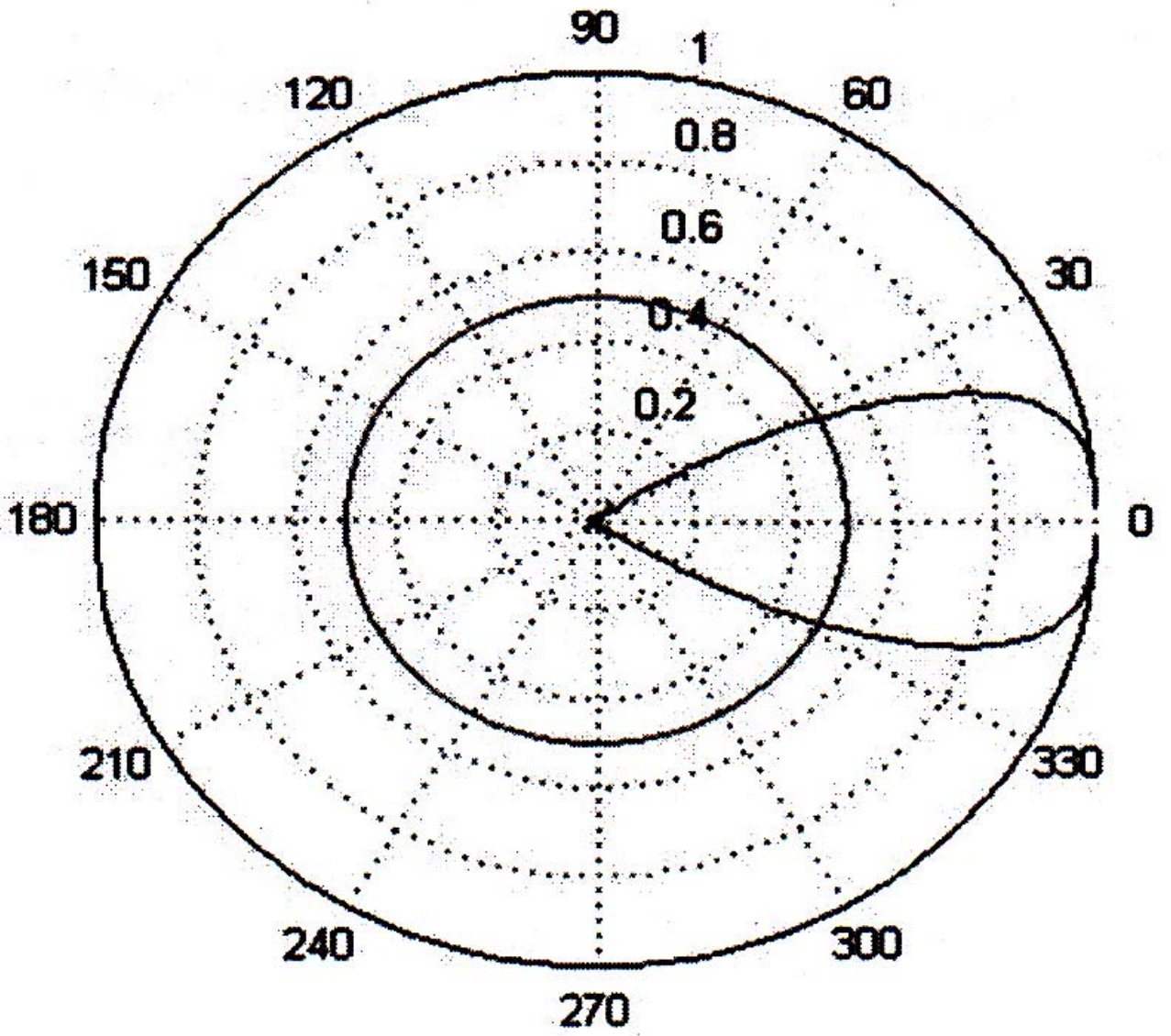
$N=10, L=0.5\lambda, dx=0.4\lambda, \alpha=-45$  degrees



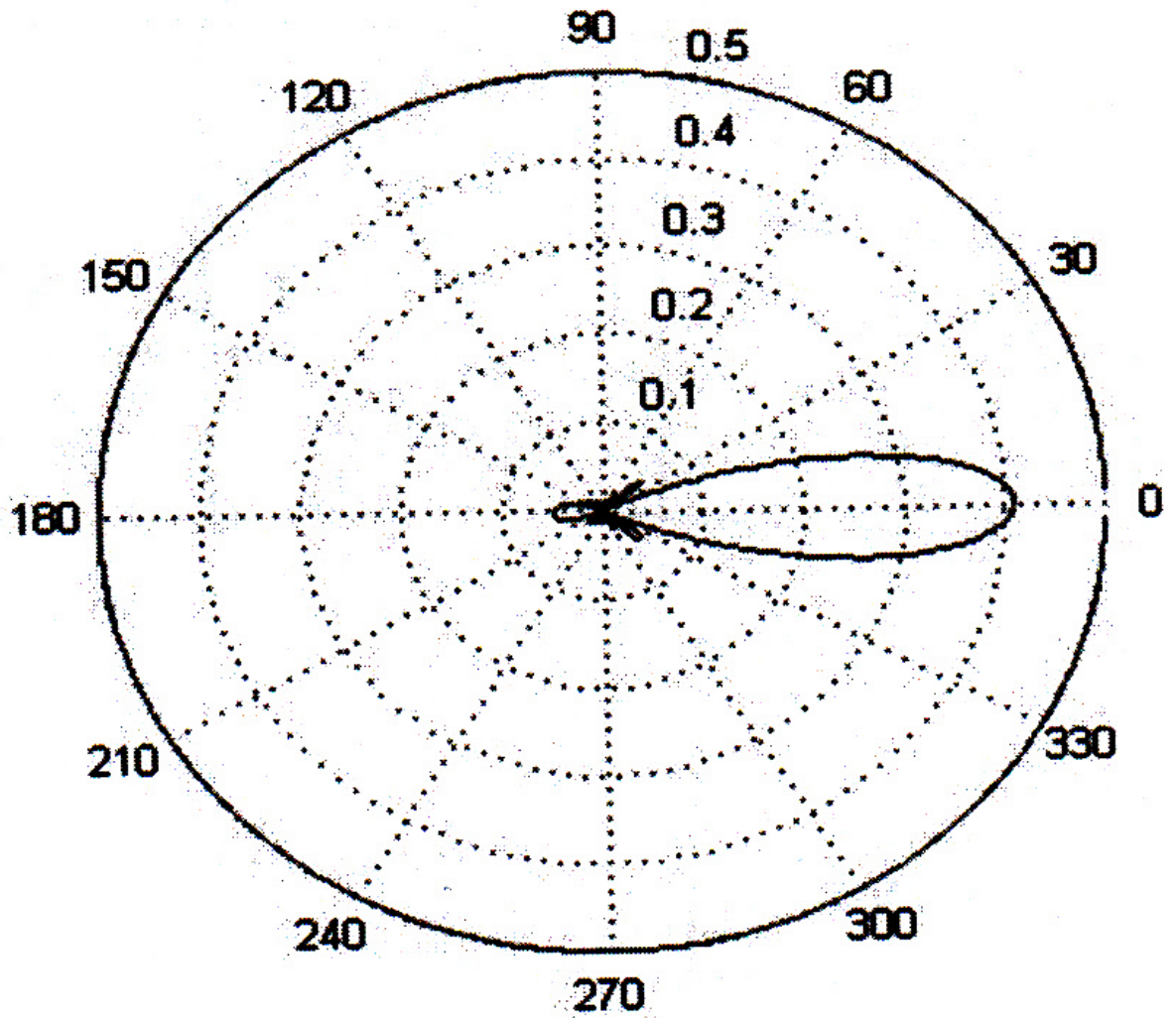
$N=10, L=0.5\lambda, dx=0.4\lambda, \alpha=-90$  degrees



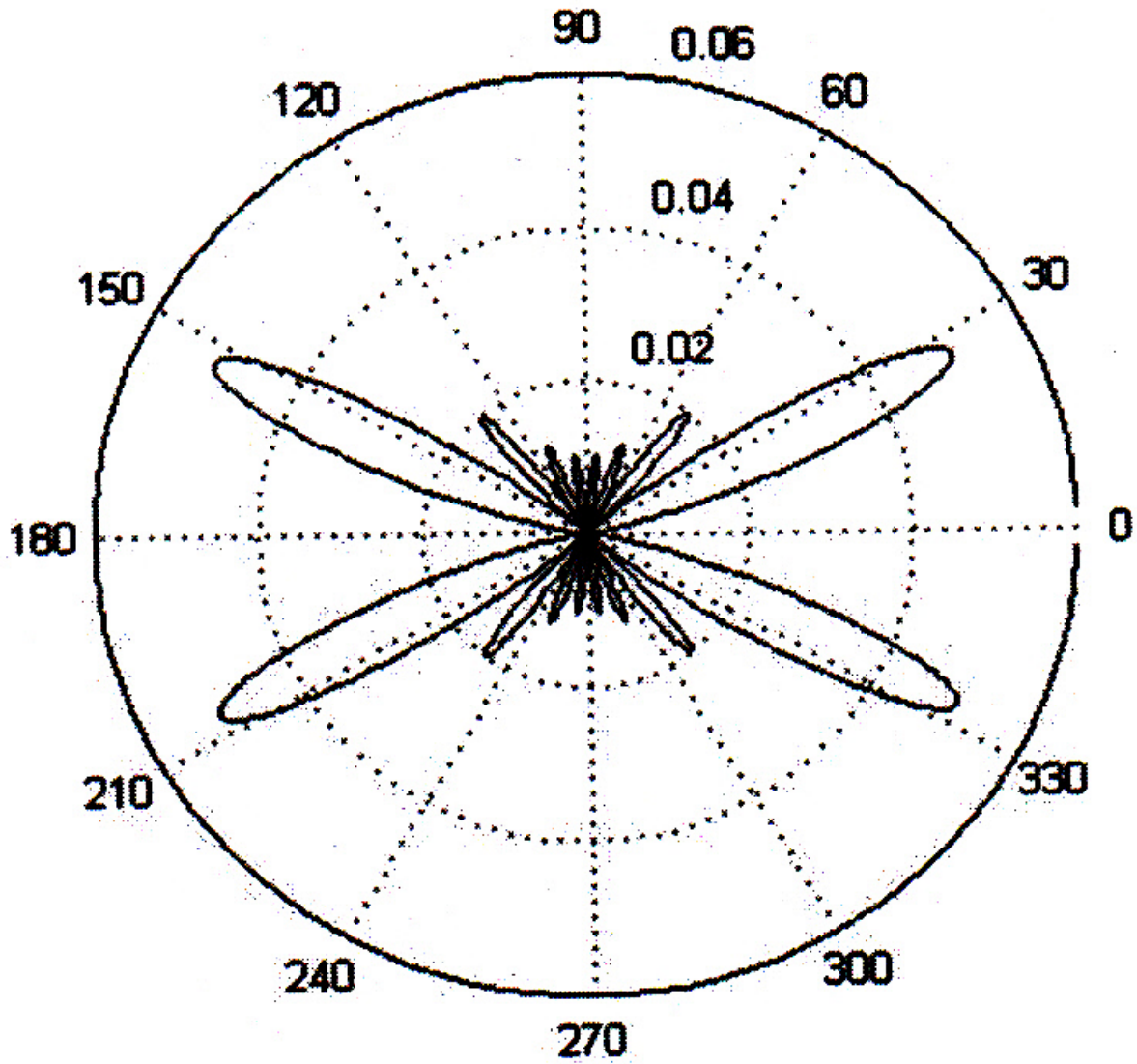
$N=10, L=0.5\lambda, dx=0.4\lambda, \alpha=-144$  degrees



$N=10, L=0.5\lambda, dx=0.4\lambda, \alpha=-162$  degrees

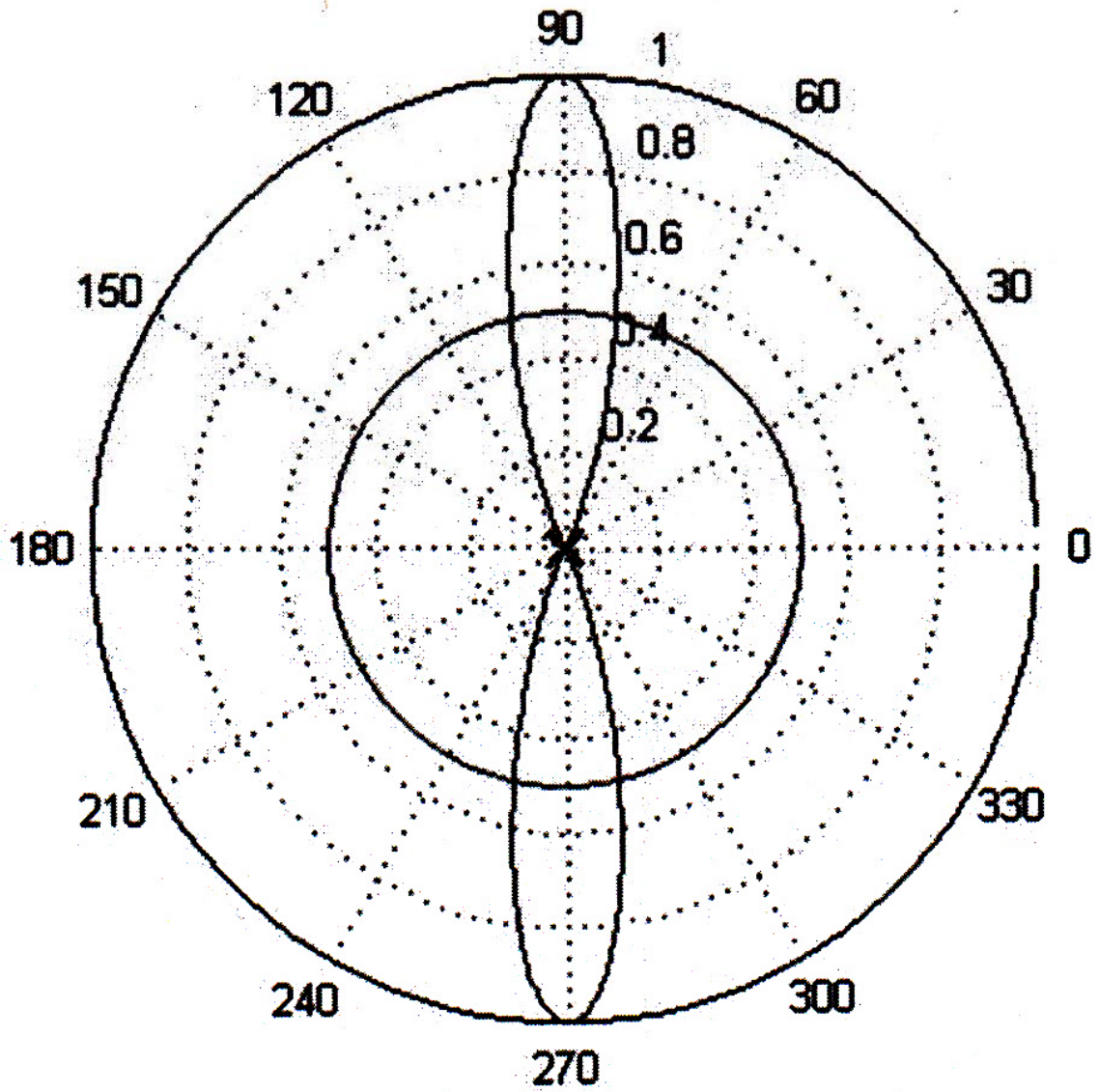


$N=10, L=0.5\lambda, dx=0.4\lambda, \alpha=-180$  degrees

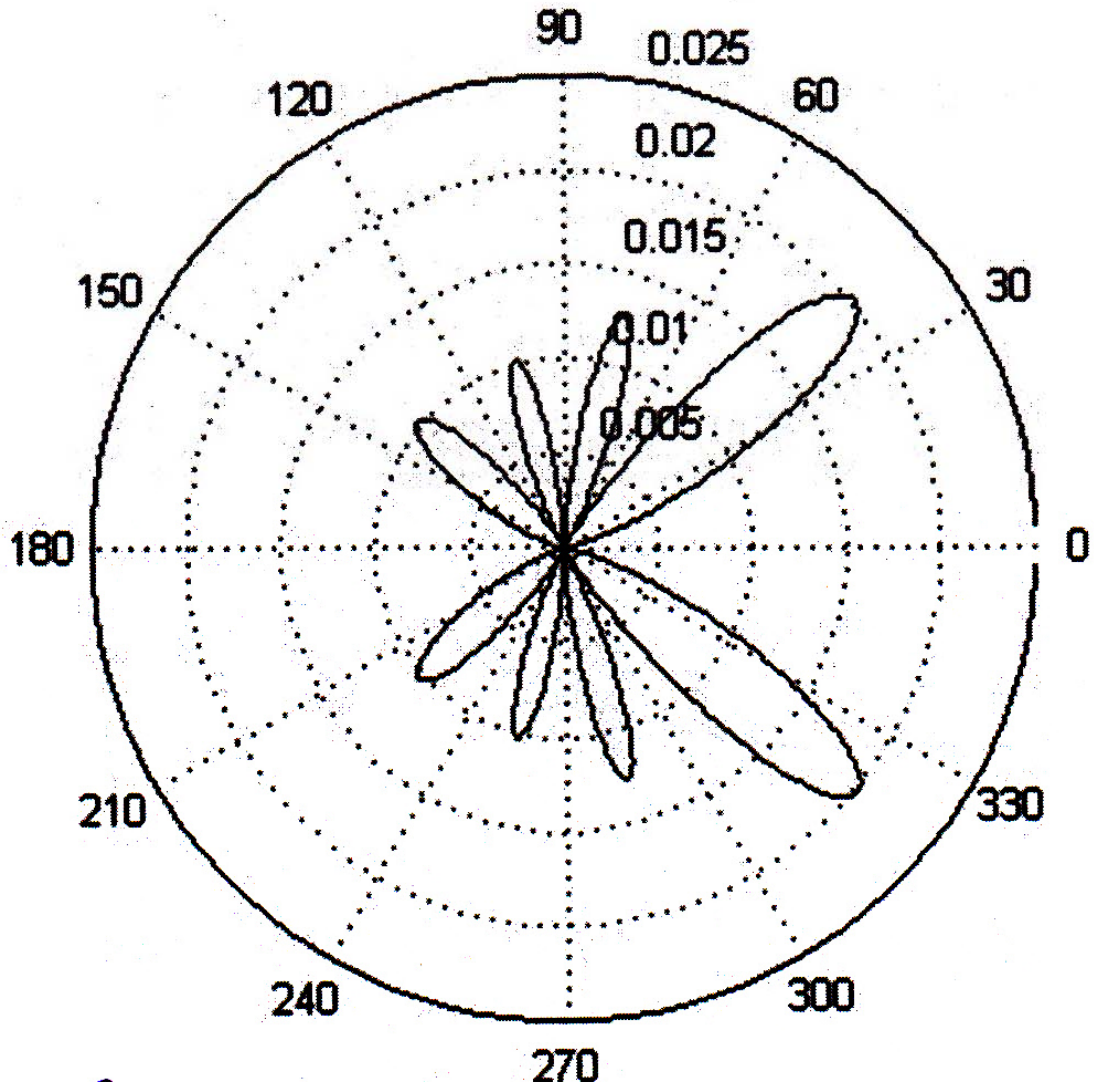


Problem 17)

$N=10, L=0.5\lambda, dx=0.4\lambda, \alpha=0$  degrees,  $\theta=30$

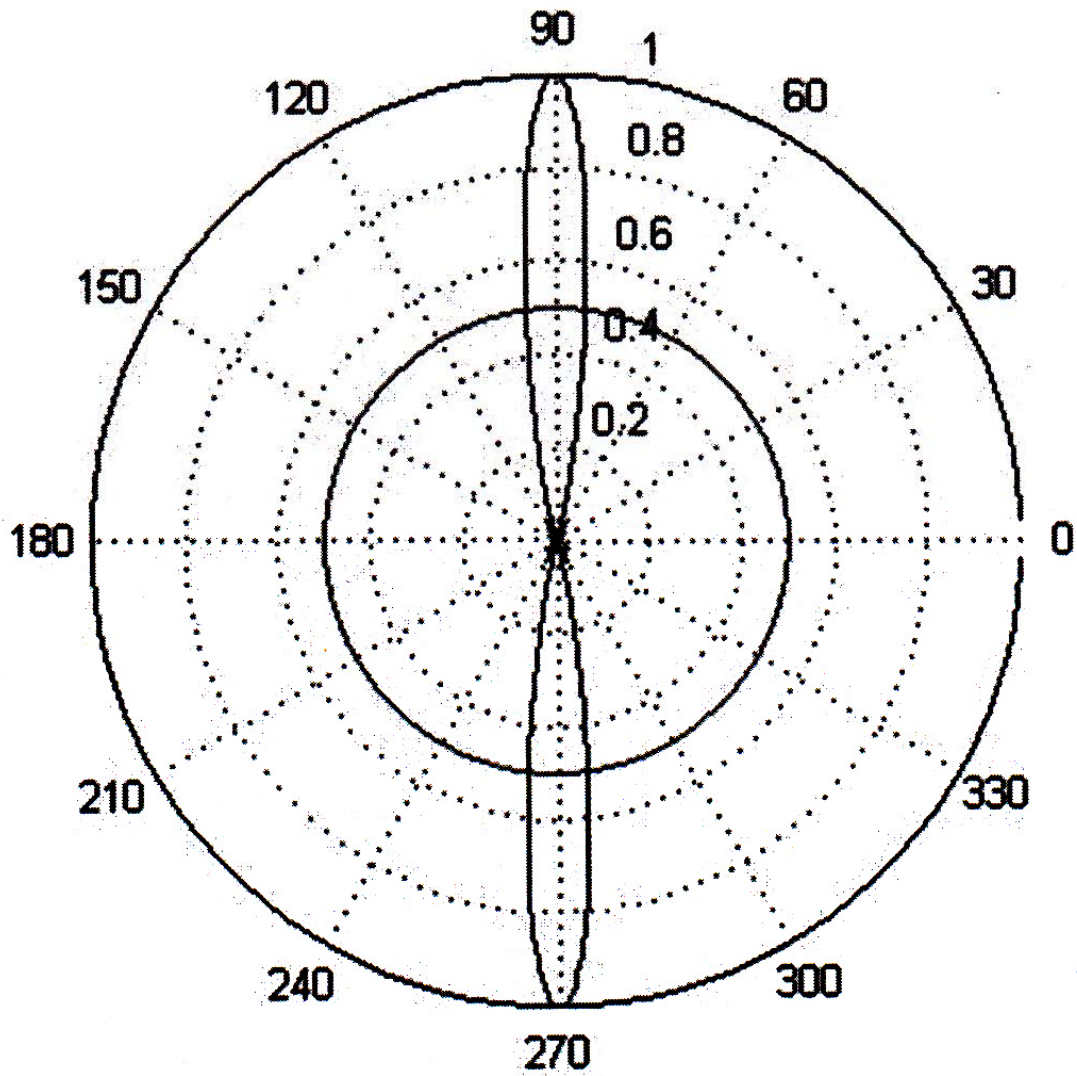


$N=10, L=0.5\lambda, dx=0.4\lambda, \alpha=-144$  degrees,  $\theta=30$





$N=10, L=0.5\lambda, dx=0.4\lambda, \alpha=0$  degrees,  $\theta=60$



$N=10$ ,  $L=0.5\lambda$ ,  $dx=0.4\lambda$ ,  $\alpha=-144$  degrees,  $\theta=60$

