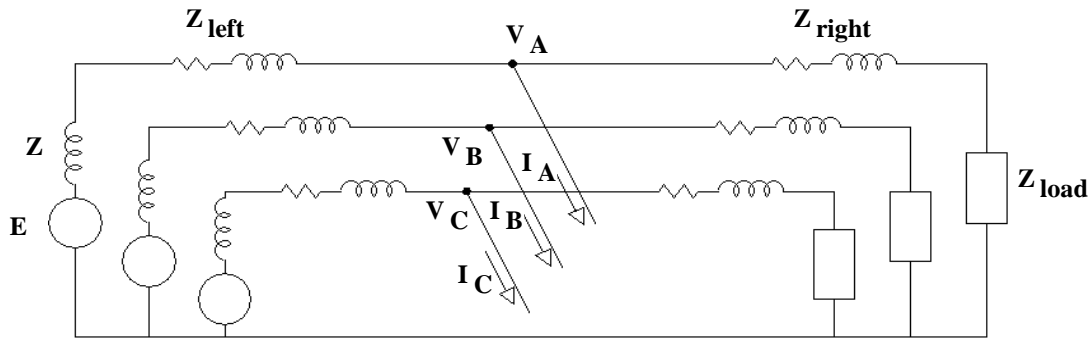


Single line to ground fault

Print 1st 4 pages & Bring to Class

We will work these out together in class

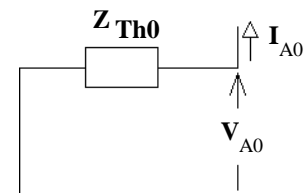
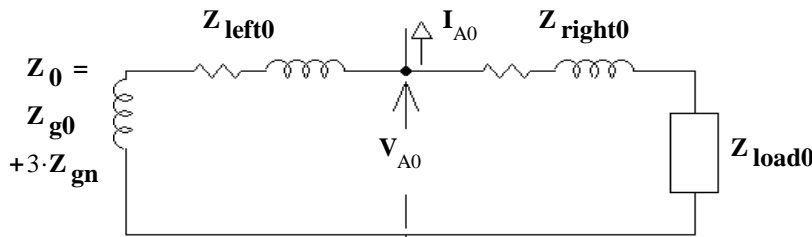
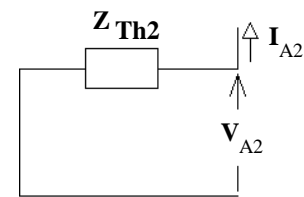
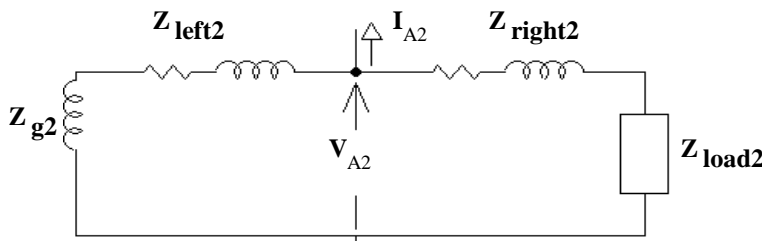
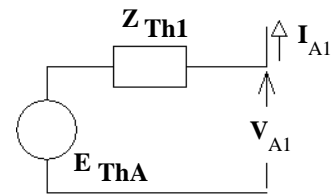
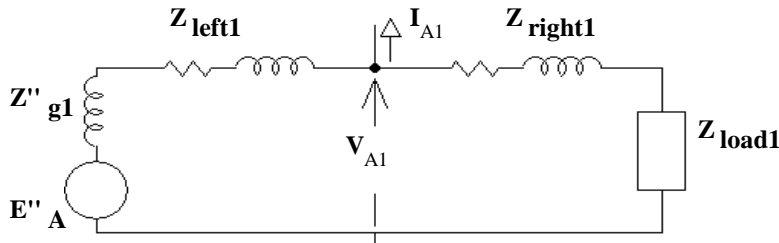


$$\begin{bmatrix} I_{A0} \\ I_{A1} \\ I_{A2} \end{bmatrix} = \begin{bmatrix} 3 \\ 3 \\ 3 \end{bmatrix} = \frac{1}{3} \begin{bmatrix} 1 & 1 & 1 \\ 1 & a & a^2 \\ 1 & a^2 & a \end{bmatrix} \begin{bmatrix} I_A \\ I_B \\ I_C \end{bmatrix} = \frac{1}{3} \begin{bmatrix} 1 & 1 & 1 \\ 1 & a & a^2 \\ 1 & a^2 & a \end{bmatrix} \begin{bmatrix} I_A \\ I_B \\ I_C \end{bmatrix}$$

$$\begin{bmatrix} V_{A0} \\ V_{A1} \\ V_{A2} \end{bmatrix} = \frac{1}{3} \begin{bmatrix} 1 & 1 & 1 \\ 1 & a & a^2 \\ 1 & a^2 & a \end{bmatrix} \begin{bmatrix} V_A \\ V_B \\ V_C \end{bmatrix} = \frac{1}{3} \begin{bmatrix} 1 & 1 & 1 \\ 1 & a & a^2 \\ 1 & a^2 & a \end{bmatrix} \begin{bmatrix} V_A \\ V_B \\ V_C \end{bmatrix}$$

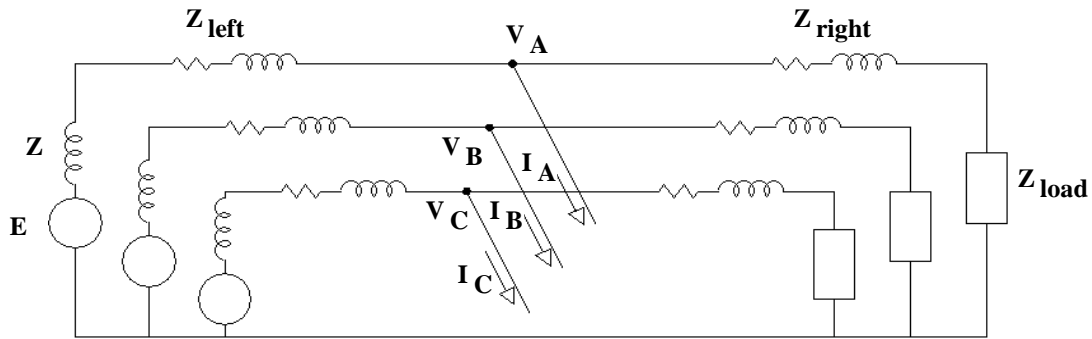
Sequence-components per-phase drawings of phase A

Thévenin equivalents:



Double line to ground fault

Transmission Line Faults p8

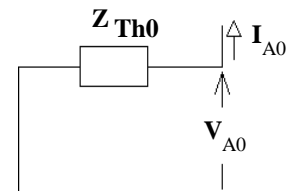
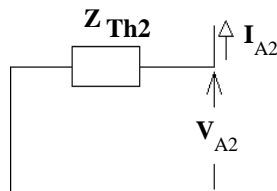
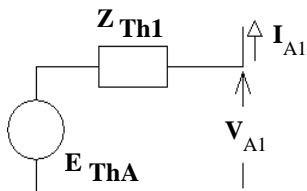


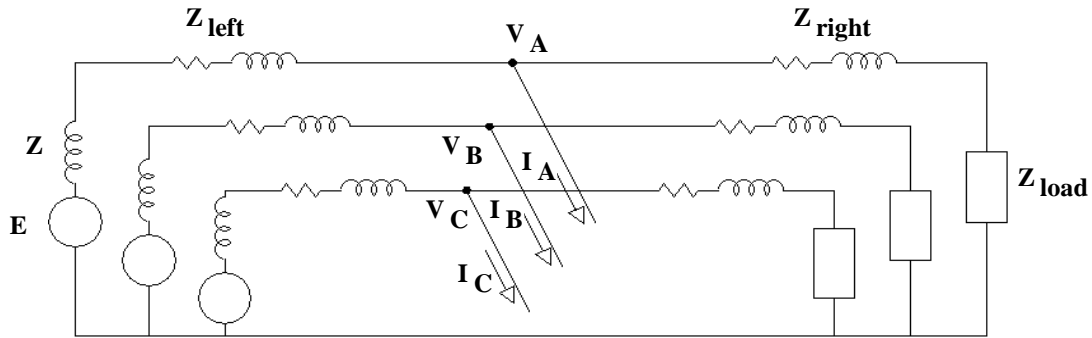
$$\begin{bmatrix} I_{A0} \\ I_{A1} \\ I_{A2} \end{bmatrix} = \frac{1}{3} \begin{bmatrix} 1 \\ 1 \\ 1 \end{bmatrix} = \frac{1}{3} \begin{bmatrix} 1 & 1 & 1 \\ 1 & a & a^2 \\ 1 & a^2 & a \end{bmatrix} \begin{bmatrix} I_A \\ I_B \\ I_C \end{bmatrix}$$

$$\begin{bmatrix} V_{A0} \\ V_{A1} \\ V_{A2} \end{bmatrix} = \begin{bmatrix} 3 \\ 3 \\ 3 \end{bmatrix} = \frac{1}{3} \begin{bmatrix} 1 & 1 & 1 \\ 1 & a & a^2 \\ 1 & a^2 & a \end{bmatrix} \begin{bmatrix} V_A \\ V_B \\ V_C \end{bmatrix}$$

Sequence-components per-phase drawings of phase A

Thévenin equivalents:



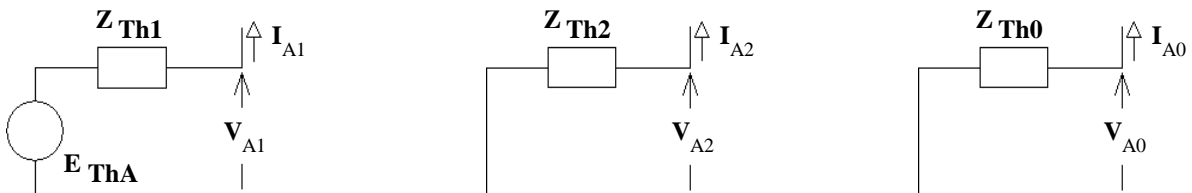


$$\begin{bmatrix} I_{A0} \\ I_{A1} \\ I_{A2} \end{bmatrix} = \frac{1}{3} \begin{bmatrix} 1 \\ 1 \\ 1 \end{bmatrix} = \frac{1}{3} \begin{bmatrix} 1 \\ 1 \\ 1 \end{bmatrix} = \frac{1}{3} \begin{bmatrix} 1 & 1 & 1 \\ 1 & a & a^2 \\ 1 & a^2 & a \end{bmatrix} \begin{bmatrix} I_A \\ I_B \\ I_C \end{bmatrix}$$

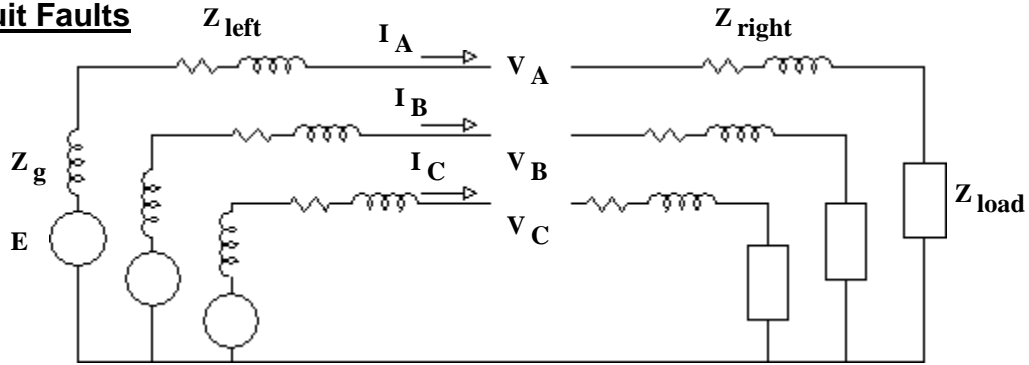
$$\begin{bmatrix} V_{A0} \\ V_{A1} \\ V_{A2} \end{bmatrix} = \frac{1}{3} \begin{bmatrix} 1 \\ 1 \\ 1 \end{bmatrix} = \frac{1}{3} \begin{bmatrix} 1 & 1 & 1 \\ 1 & a & a^2 \\ 1 & a^2 & a \end{bmatrix} \begin{bmatrix} V_A \\ V_B \\ V_C \end{bmatrix}$$

Sequence-components per-phase drawings of phase A

Thévenin equivalents:



Open-Circuit Faults



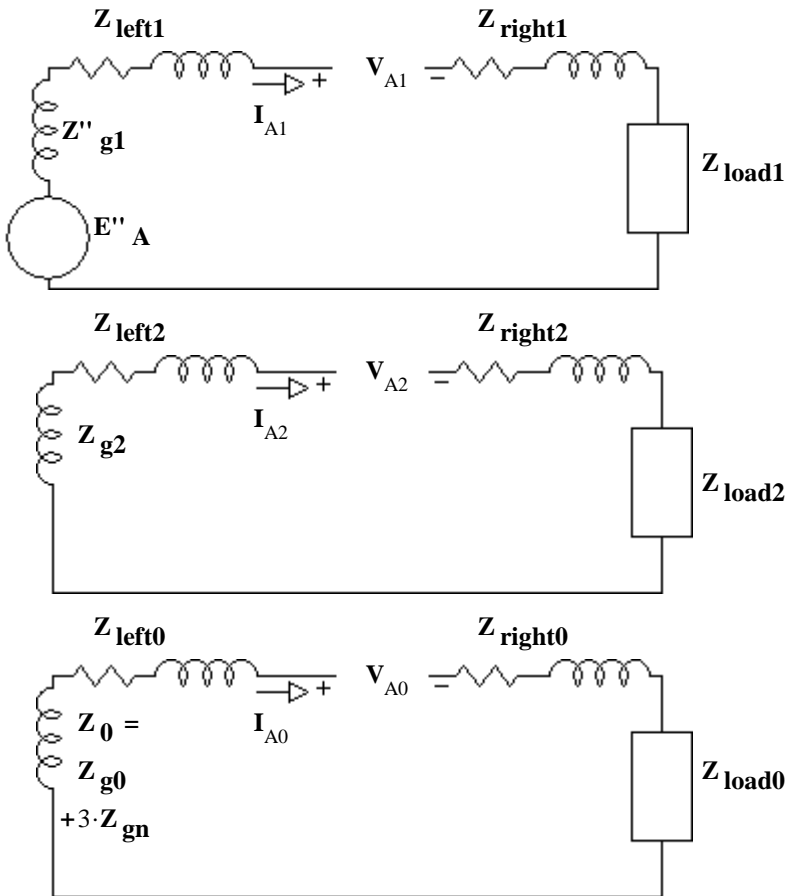
Now the voltages are measured across the fault point and the "fault" currents are the line currents.

Single line A Open

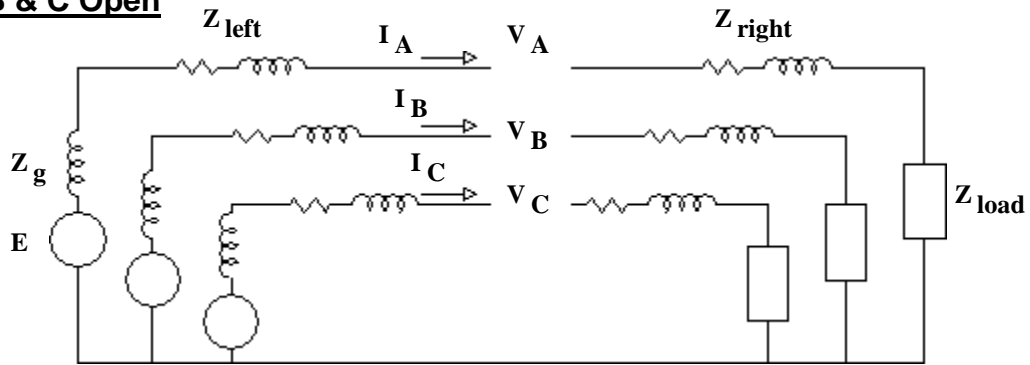
$$\begin{bmatrix} V_{A0} \\ V_{A1} \\ V_{A2} \end{bmatrix} = \frac{1}{3} \begin{bmatrix} 1 \\ 1 \\ 1 \end{bmatrix} \cdot \begin{bmatrix} 1 & 1 & 1 \\ 1 & a & a^2 \\ 1 & a^2 & a \end{bmatrix} \begin{bmatrix} I_{A0} \\ I_{A1} \\ I_{A2} \end{bmatrix}$$

$$\begin{bmatrix} I_{A0} \\ I_{A1} \\ I_{A2} \end{bmatrix} = \frac{1}{3} \begin{bmatrix} 1 \\ 1 \\ 1 \end{bmatrix} \cdot \begin{bmatrix} 1 & 1 & 1 \\ 1 & a & a^2 \\ 1 & a^2 & a \end{bmatrix} \begin{bmatrix} V_{A0} \\ V_{A1} \\ V_{A2} \end{bmatrix}$$

Sequence-components per-phase drawings of phase A



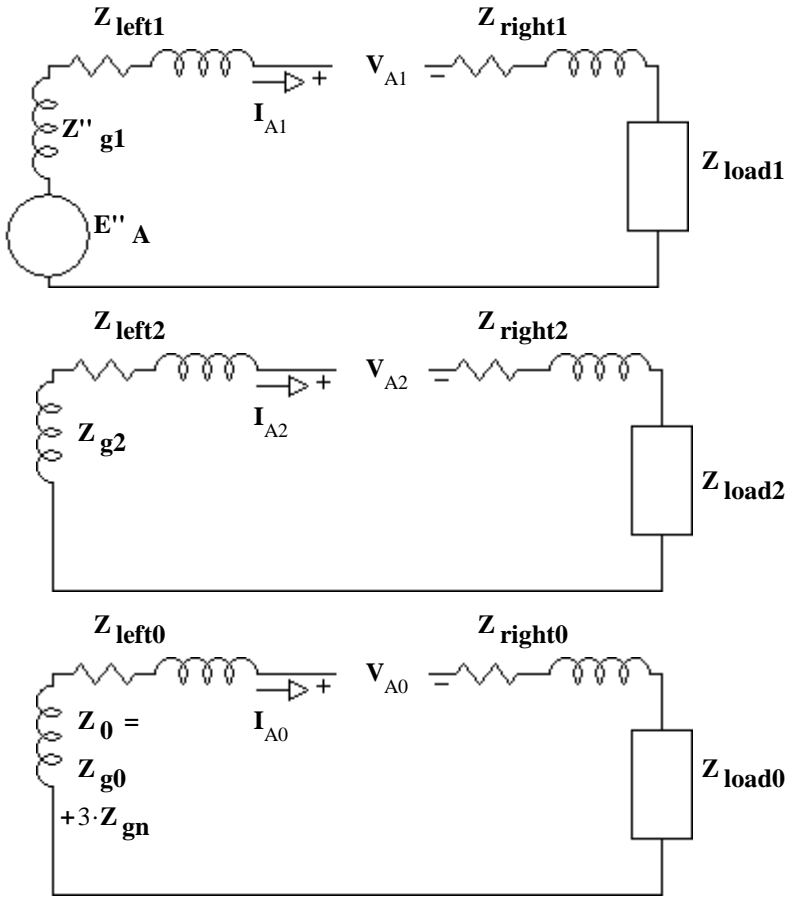
Double line B & C Open



$$\begin{bmatrix} V_{A0} \\ V_{A1} \\ V_{A2} \end{bmatrix} = \frac{1}{3} \begin{bmatrix} 1 & 1 & 1 \\ 1 & a & a^2 \\ 1 & a^2 & a \end{bmatrix} \begin{bmatrix} I_{A0} \\ I_{A1} \\ I_{A2} \end{bmatrix}$$

$$\begin{bmatrix} I_{A0} \\ I_{A1} \\ I_{A2} \end{bmatrix} = \frac{1}{3} \begin{bmatrix} 1 & 1 & 1 \\ 1 & a & a^2 \\ 1 & a^2 & a \end{bmatrix} \begin{bmatrix} V_{A0} \\ V_{A1} \\ V_{A2} \end{bmatrix}$$

Sequence-components per-phase drawings of phase A



$$\begin{bmatrix} V_A \\ V_B \\ V_C \end{bmatrix} = \begin{bmatrix} 1 & 1 & 1 \\ 1 & a^2 & a \\ 1 & a & a^2 \end{bmatrix} \begin{bmatrix} V_{A0} \\ V_{A1} \\ V_{A2} \end{bmatrix}$$