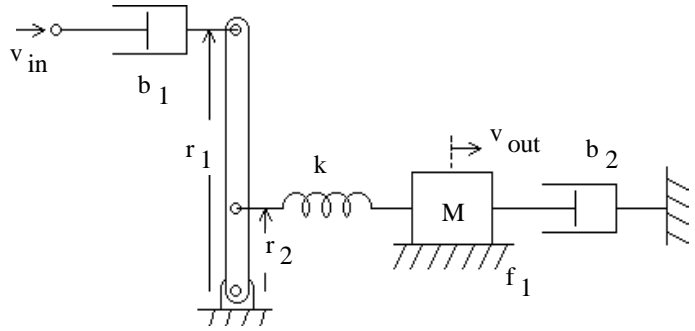


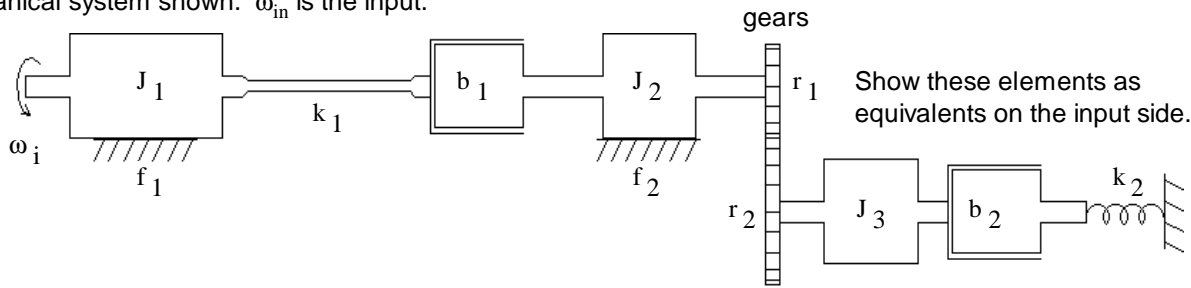
### Electrical Analogies of Rotational & Fluid Mechanical Systems

Use the current-force analogy discussed in class for the following problems.

- Find the equivalent electric circuit for the mechanical system shown.  $v_{in}$  is the input.

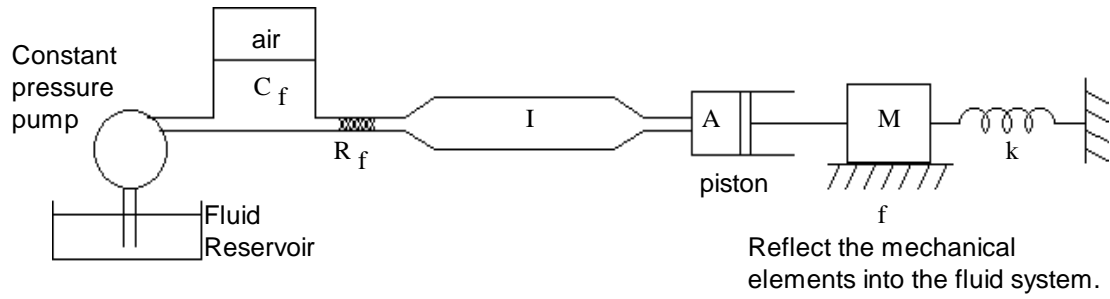


2. Find the equivalent electric circuit for the mechanical system shown.  $\omega_{in}$  is the input.



Show these elements as equivalents on the input side.

3. Find the equivalent electric circuit for the fluid system shown.



**Answers**

