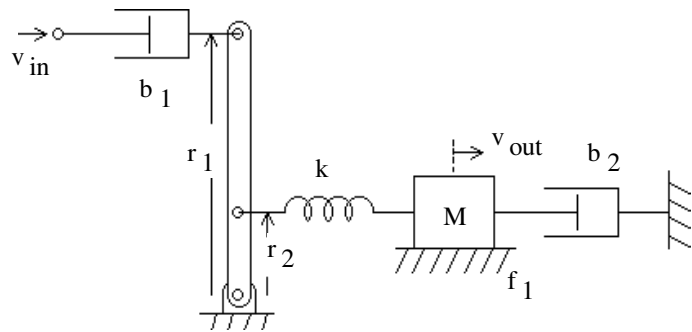


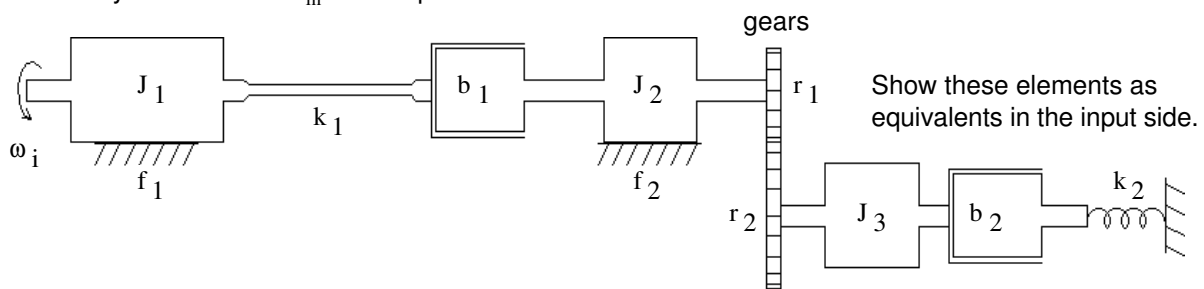
Change HW # 8 Duedate to: Fri, 2/8/08

Use the current-force analogy discussed in class for the following problems.

1. Find the equivalent electric circuit for the mechanical system shown.  $v_{in}$  is the input.

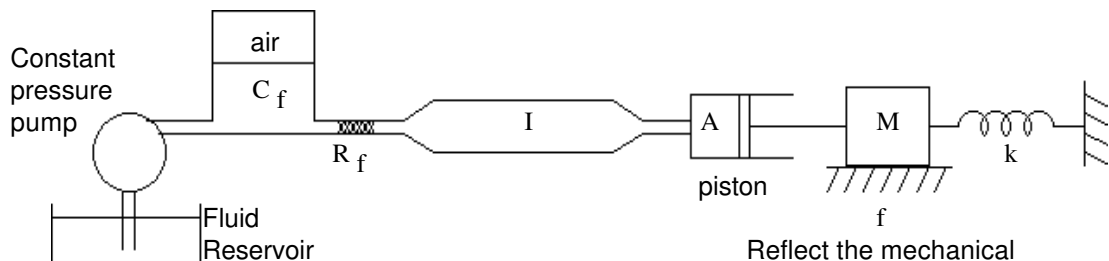


2. Find the equivalent electric circuit for the mechanical system shown.  $\omega_{in}$  is the input.



Show these elements as equivalents in the input side.

3. Find the equivalent electric circuit for the fluid system shown.



Reflect the mechanical elements into the fluid system.

Answers

