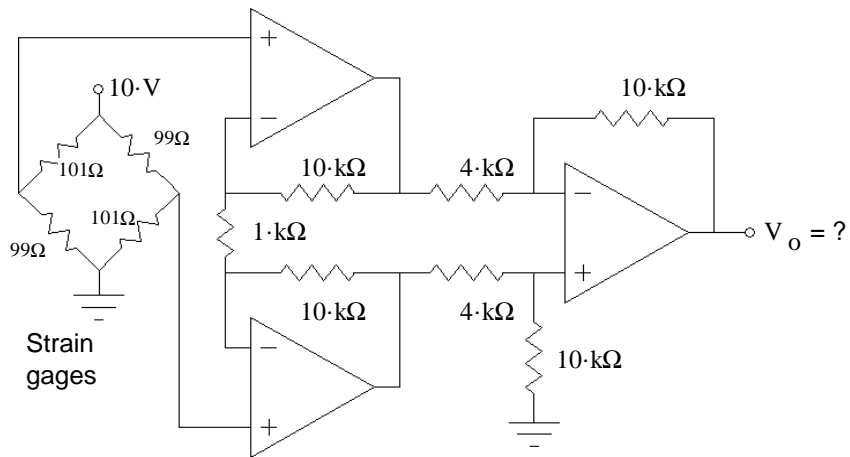
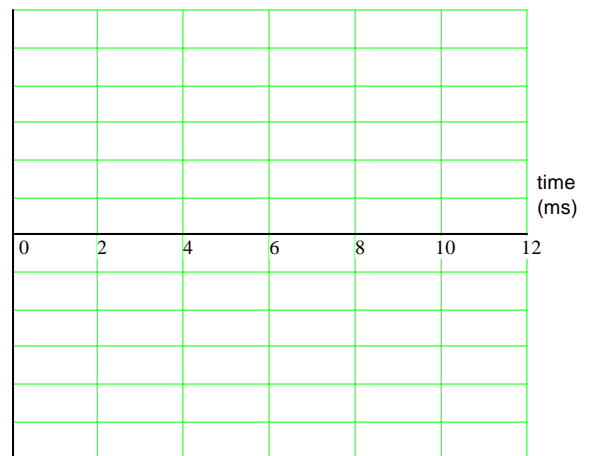
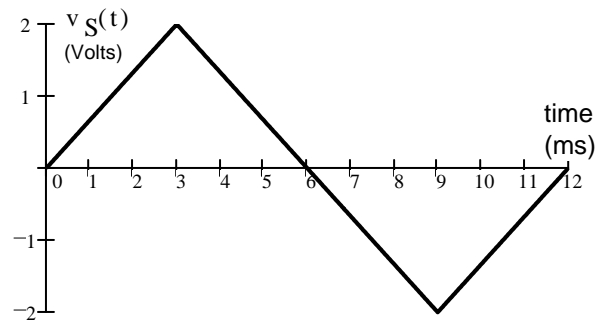
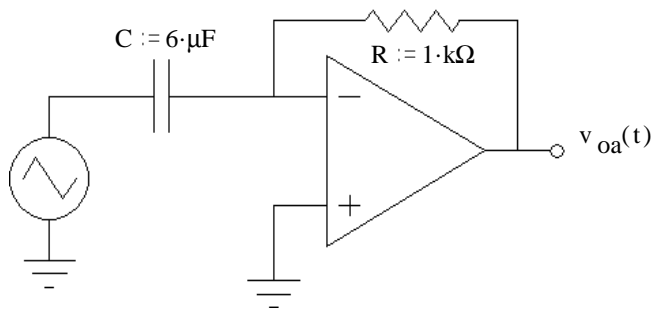


1. The op-amps are powered by ± 12 V power supplies. What output do you expect?

SHOW WORK

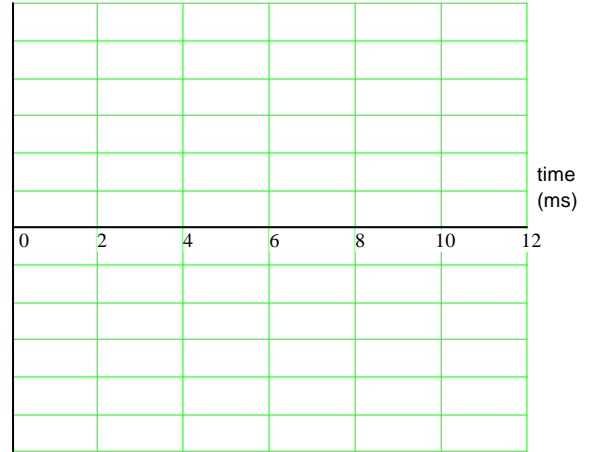
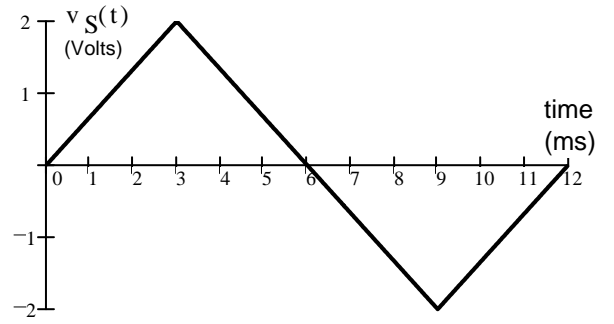
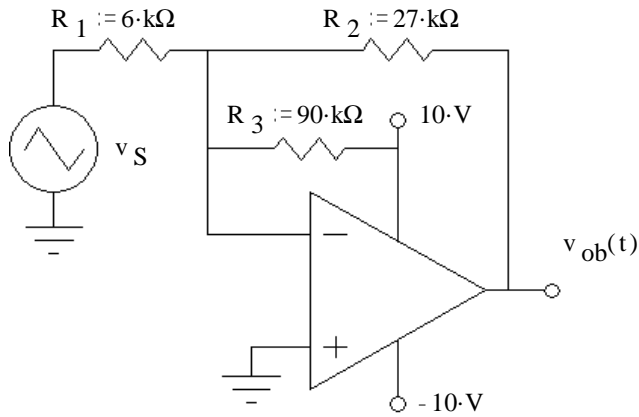


2. The same input signal (at right) is connected to several op-amp circuits. Sketch the output waveforms for the circuits shown.
 a) Op amp powered by ± 12 V power supplies.

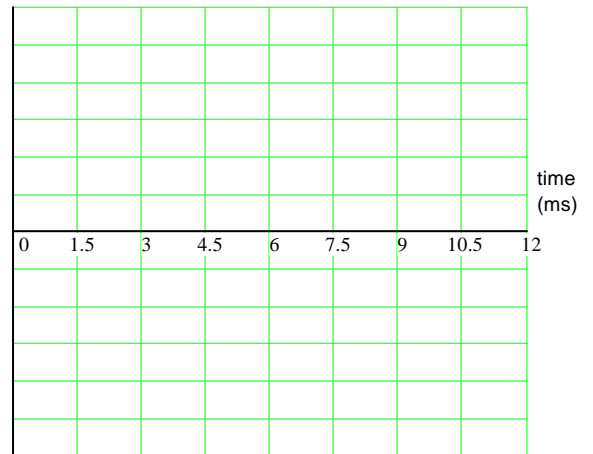
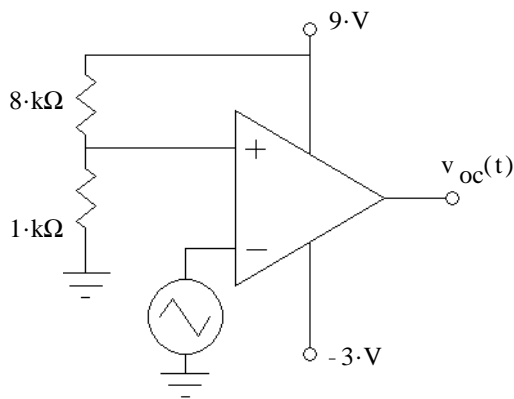


ECE 2210 Homework OA2, p.2

2.b)



c)



Answers

1. 5.25-V

2. a) (0ms, -4V) to (3ms, -4V) to (3ms, 4V) to (9ms, 4V) to (9ms, -4V) to (12ms, -4V)

b) (0ms, -3V) to (2ms, -9V) to (4ms, -9V) to (9ms, 6V) to (12ms, -3V)

ECE 2210 Hw OA2

c) (0ms, 8V) to (1.5ms, 8V) to (1.5ms, -2V) to (4.5ms, -2V) to (4.5ms, 8V) to (12ms, 8V)