

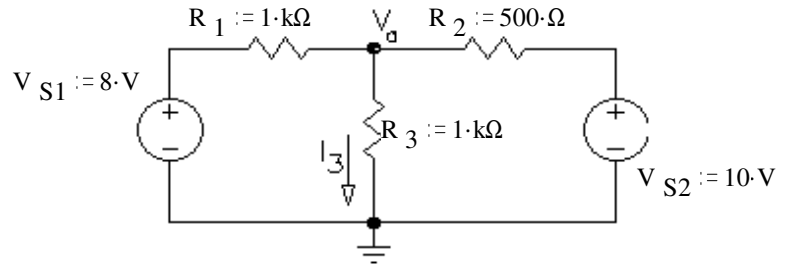
ECE 2210 / 00 homework # 4

a

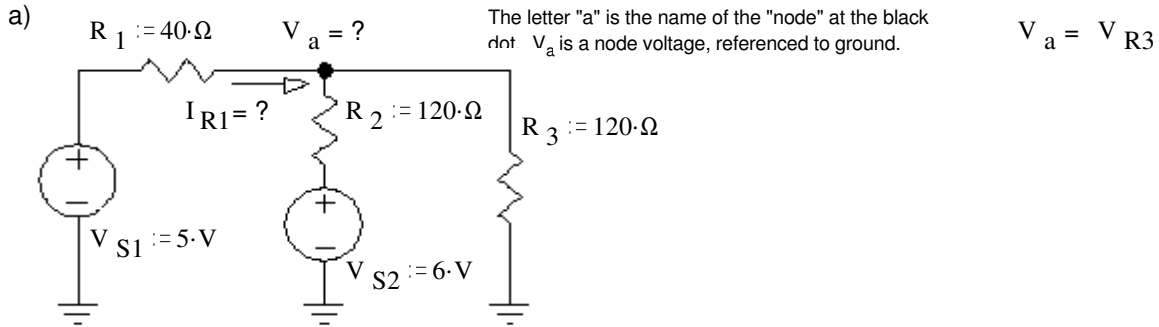
Answer the following problems on your own paper. Show your equations and work to get credit on this and all future homeworks.

Superposition

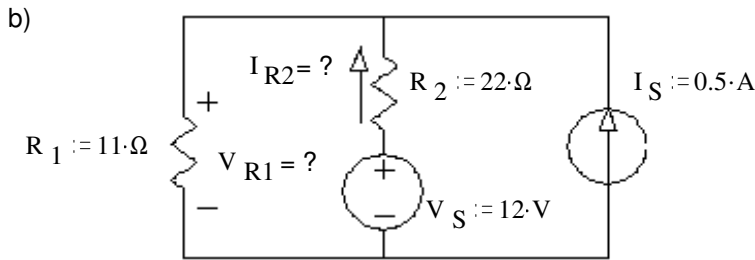
- Use superposition to find I_3 . Circle your intermediate solutions on your paper. Your intermediate solutions show how much of I_3 is due to V_{S1} , and how much is due to V_{S2} .



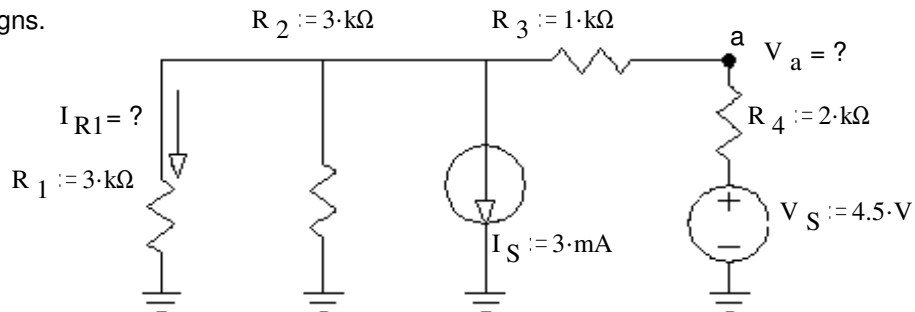
- Use superposition to solve following problems: Each problem asks for both a current and a voltage. Clearly indicate your intermediate answers, the grader will look for those.



These are ground symbols. They are all connected together, although that connection is not explicitly shown.



- Watch your signs.



Answers

- $2 \cdot \text{mA} + 5 \cdot \text{mA} = 7 \cdot \text{mA}$
- a) $4.2 \cdot \text{V}$, $20 \cdot \text{mA}$ b) $7.67 \cdot \text{V}$, $197 \cdot \text{mA}$ c) $0.5 \cdot \text{V}$, $-0.5 \cdot \text{mA}$