

2nd - Order Transients

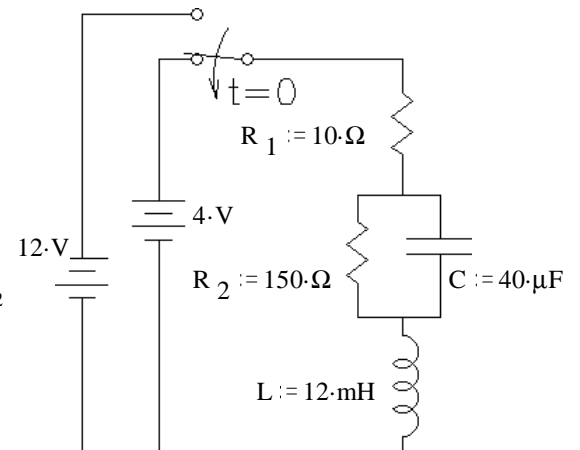
Name _____

1. Analysis of the circuit shown yields the characteristic equation below. The switch has been in the top position for a long time and is switched down at time $t = 0$. Find the initial conditions and write the full expression for $i_L(t)$, including all the constants that you find.

$$0 = s^2 + \left(\frac{1}{C \cdot R_2} + \frac{R_1}{L} \right) \cdot s + \left(\frac{R_1}{L \cdot C \cdot R_2} + \frac{1}{L \cdot C} \right)$$

$$\left(\frac{1}{C \cdot R_2} + \frac{R_1}{L} \right) = 1000 \cdot \text{sec}^{-1} \quad \left(\frac{R_1}{L \cdot C \cdot R_2} + \frac{1}{L \cdot C} \right) = 2.222 \cdot 10^6 \cdot \text{sec}^{-2}$$

$$0 = s^2 + 1000 \cdot \frac{1}{\text{sec}} \cdot s + 2.222 \cdot 10^6 \cdot \frac{1}{\text{sec}^2}$$

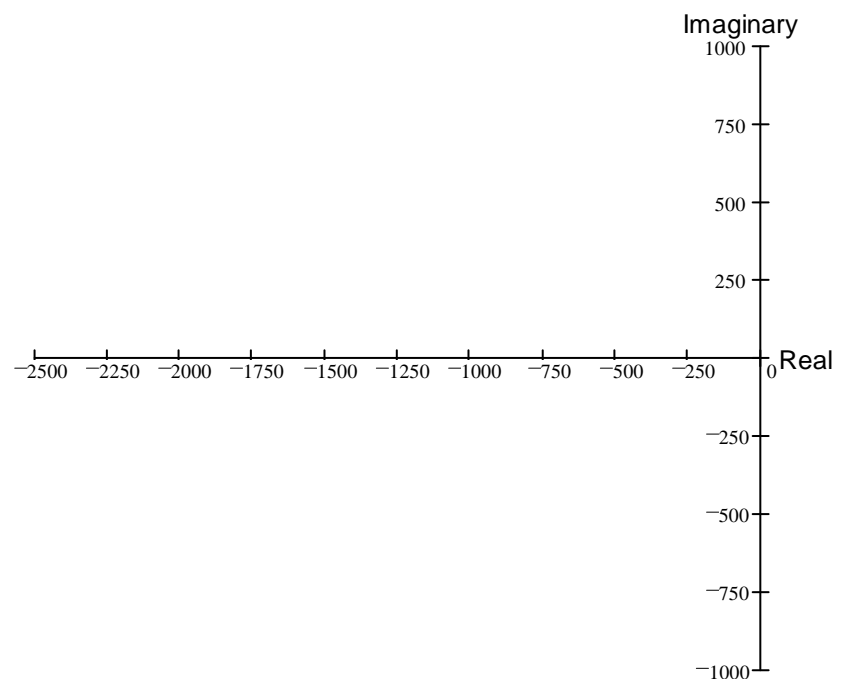
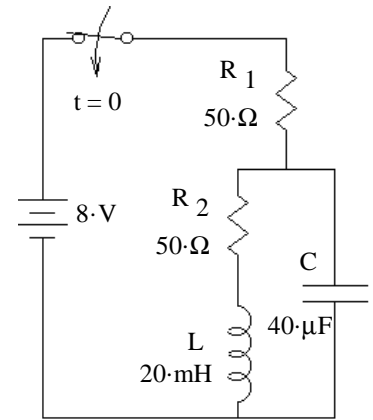


ECE 2210 homework 2ndTr4 p3

3. Look at the circuit in Hw2ndTr3, problem 1. Change R_1 and R_2 to 50Ω and consider the voltage across R_1 to be the output voltage.
The transfer function would be:

$$H(s) = \frac{V_{R1}(s)}{V_{in}(s)} = \frac{s^2 + \frac{R_2}{L} \cdot s + \frac{1}{L \cdot C}}{s^2 + \frac{R_1 \cdot R_2 \cdot C + L}{R_1 \cdot L \cdot C} \cdot s + \frac{R_1 + R_2}{R_1 \cdot L \cdot C}} = \frac{s^2 + 2500 \cdot s + 1.25 \cdot 10^6}{s^2 + 3000 \cdot s + 2.5 \cdot 10^6}$$

- a) What are the poles and zeros of this transfer function?



- b) Plot these poles and zeros on the complex plane.

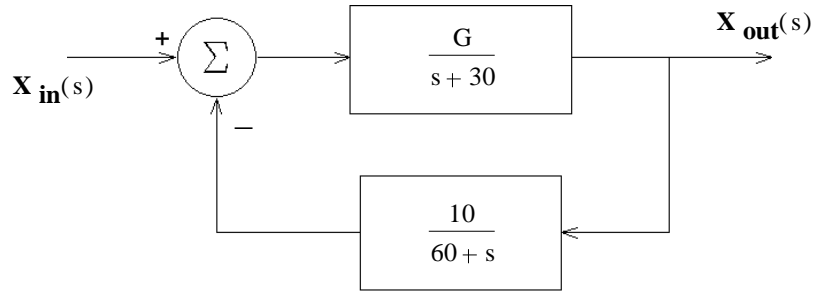
ECE 2210 homework 2ndTr4 p4

4. A feedback system is shown in the figure.

- a) What is the transfer function of the whole system, with feedback.

$$\mathbf{H}(s) = \frac{\mathbf{X}_{\text{out}}(s)}{\mathbf{X}_{\text{in}}(s)} = ?$$

Simplify your expression for $\mathbf{H}(s)$ so that the denominator is a simple polynomial.



- b) $G := 5$ Find the poles and zeroes of the system.

c) What type of damping response does this system have?

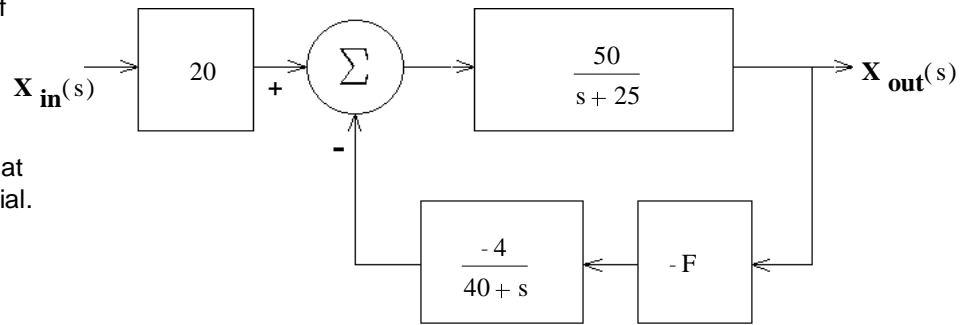
d) Find the value of G to make the transfer function critically damped.

e) If G is double the value found in part d) what will the damping response of the system will be?

5. a) A feedback system is shown in the figure. What is the transfer function of the whole system, with feedback.

$$\mathbf{H}(s) = \frac{\mathbf{X}_{out}(s)}{\mathbf{X}_{in}(s)} = ?$$

Simplify your expression for $\mathbf{H}(s)$ so that the denominator is a simple polynomial.



b) Find the maximum value of F so that the system does not become underdamped.

c) Find the transfer function with $F := 0.2$

d) With $F = 0.2$, at what value of s can the system produce an output even with no input?
(That is, what value of s makes $\mathbf{H}(s) = \infty$?)

e) Does the transfer function have a zero? Answer no or find the s value of that zero.