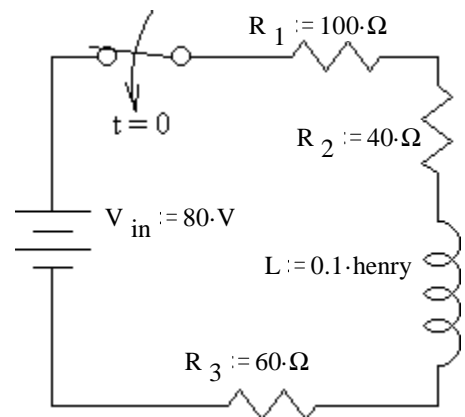


Name _____

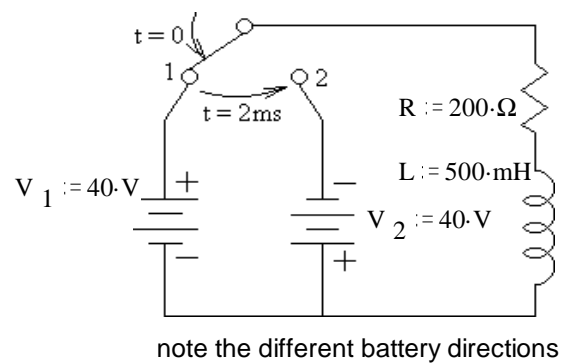
1. A 12 V car ignition coil has an inductance of 20 mH and resistance of 1.5 Ω (so its equivalent circuit is a 20 mH inductor in series with a 3 Ω resistor). Calculate how long it takes the current to build up to 95% of its maximum value after a 12 V battery is connected to the coil.

2. A constant voltage is applied to a series RL circuit by closing a switch. The voltage across L is 40 volts at $t = 0$ and drops to 8 volts at $t = .004$ sec. If $L = 0.1$ H, what must be the value of R?

3. In the circuit shown, the switch is closed at $t = 0$. Find the transient current expression.

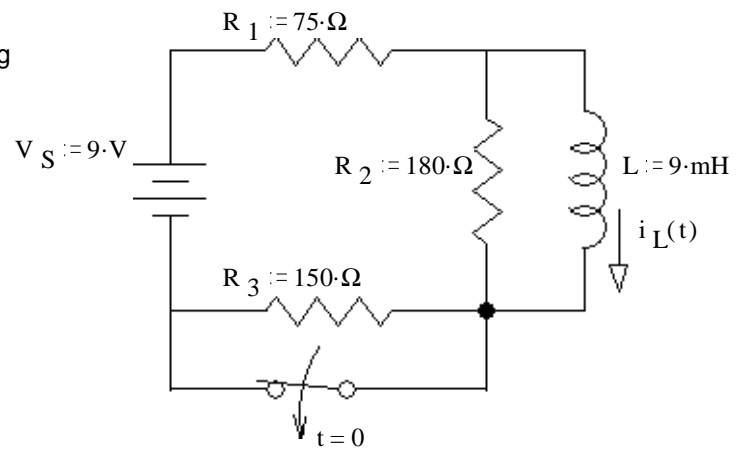


4. In the circuit shown, the switch is closed on position 1 at $t = 0$, and then instantly moved to position 2 after 2 milliseconds. Find the time at which the current is zero and reversing its direction.



ECE 2210 / 00 homework 1stTr2 p3

5. The switch has been open (not making contact) for a long time and is switched closed (as shown) at time $t = 0$.
 a) Find the complete expression for $i_L(t)$.



b) Find i_L at time $t = 1.2\tau$. $i_L(1.2\tau) = ?$ $120\text{mA} - 80\text{mA} \cdot e^{-1.2} = 95.9\text{mA}$

- c) At time $t = 1.2\tau$ the switch is opened again. Find the complete expression for $i_L(t')$, where t' starts when the switch opens. Be sure to clearly show the time constant.

Answers

1. 20ms 2. 40.2Ω 3. $0.4\text{A} \cdot \left(1 - e^{-\frac{t}{0.5\text{ms}}}\right)$ 3.1ms

5. a) $120\text{mA} - 80\text{mA} \cdot e^{-\frac{t}{0.17\text{ms}}}$
 b) 95.9mA

c) $40\text{mA} + 56\text{mA} \cdot e^{-\frac{t}{90\mu\text{s}}}$