

# ECE2210 Final given: Fall 15

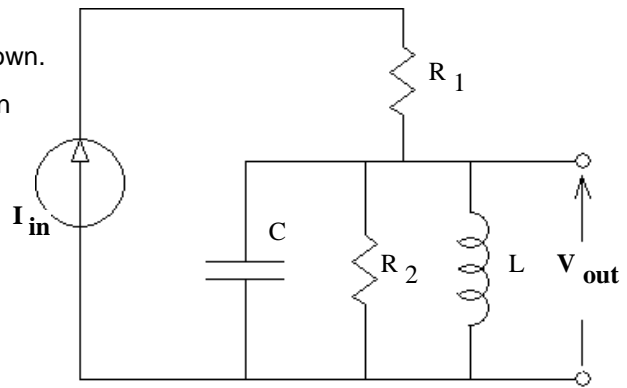
1. (12 pts) a) Find the s-type transfer function of the circuit shown.

You **MUST** show work to get credit. Simplify your expression for  $H(s)$  so that the denominator is a simple polynomial.

$H(s) = ?$

- b) How many poles does this transfer function have?  
 c) How many zeroes does this transfer function have?

If it has 1 or more, express them (probably in terms of  $R_1$ ,  $R_2$ ,  $L$  and  $C$ ).

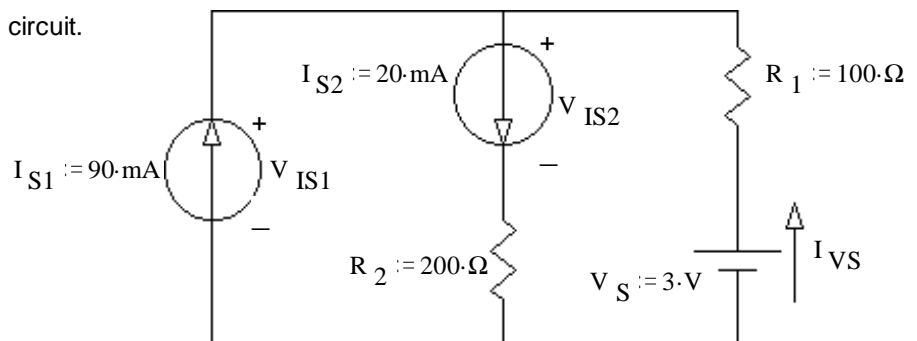


2. (18 pts) Find the values below. Show your work.

Find:  $V_{IS1}$ ,  $V_{IS2}$ ,  $I_{VS}$  &

$P_{VS}$ , The power  $V_S$  supplies to the circuit.

Note: feel free to show work & answers right on the schematic

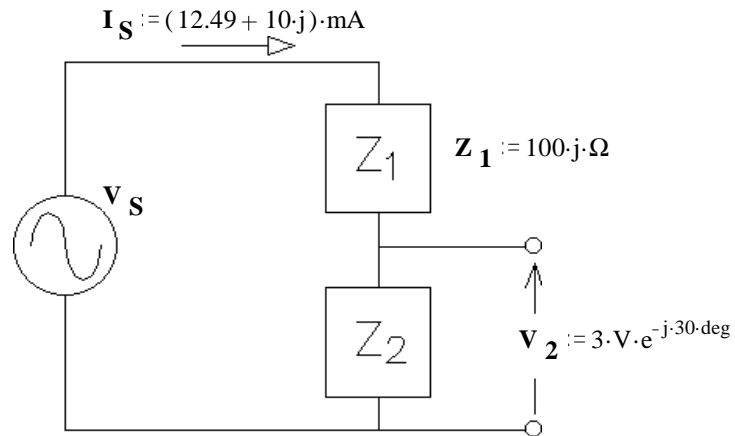


3. (18 pts) For partial credit, you must show work and/or intermediate results.

- a) Find  $Z_2$   
 b) Find  $V_S$   
 c) Circle 1: i)  $I_S$  leads  $V_2$   
           ii)  $I_S$  lags  $V_2$   
           i)  $I_S$  leads  $V_2$

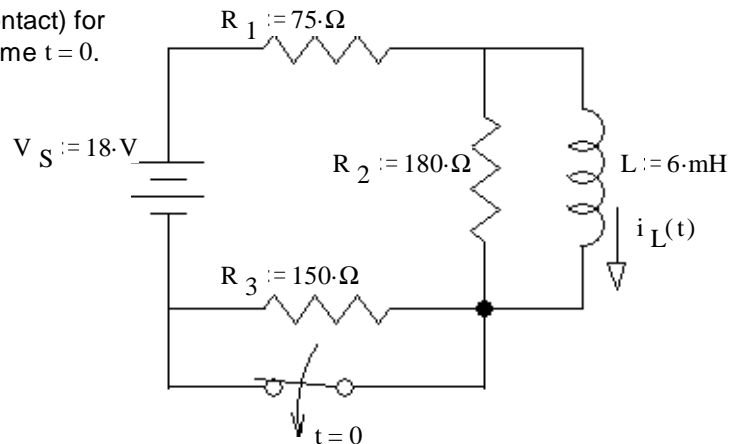
Why? Show numbers:

Or explain by other means:



4. (22 pts) The switch has been open (not making contact) for a long time and is switched closed (as shown) at time  $t = 0$ .

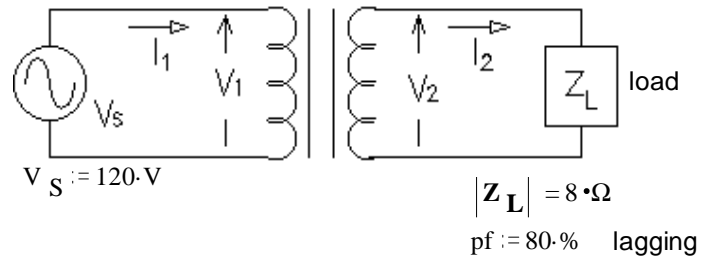
- a) Find the complete expression for  $i_L(t)$ .  
 b) Find  $i_L$  at time  $t = 1.2\tau$ .  
 c) At time  $t = 1.2\tau$  the switch is opened again. Will the time constant be different now? If yes, find the new time constant. JUST the time constant.



**ECE2210 Final given: Fall 15 p2**

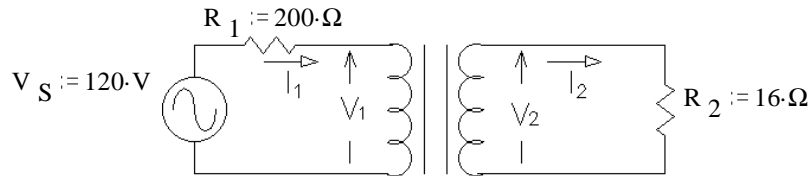
5. (7 pts) A transformer is rated at 240V/120V, 1.2kVA. Assume the transformer is ideal and all voltages and currents are RMS.

How much power does the load consume?



6. (16 pts) The transformer shown in the circuit below is ideal. It is rated at 240/48 V, 20 VA, 60 Hz. Find the following: All values are RMS unless specified otherwise.

- a)  $I_1 = ?$
- b)  $V_2 = ?$
- c)  $I_2 = ?$



Use constant-voltage-drop models for the diodes and LEDs on this exam.

7. (18 pts) Assume that diode  $D_1$  does conduct. Assume that diode  $D_2$  does NOT conduct.

a) Find  $I_{R1}$ ,  $I_{R2}$ ,  $I_{R3}$ , &  $I_{D1}$  based on these assumptions. Stick with these assumptions even if your answers come out absurd.

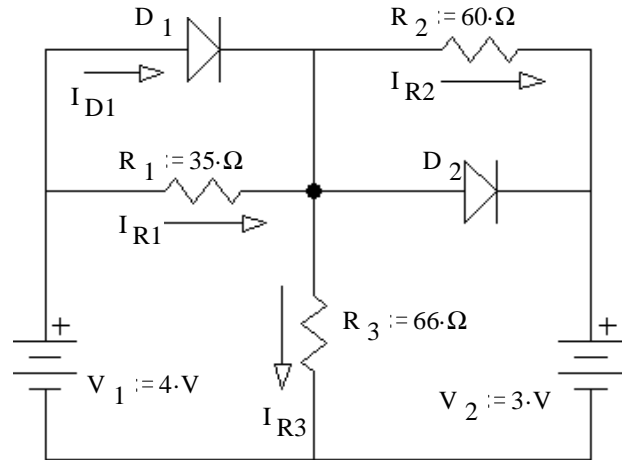
- $I_{R1} = \underline{\hspace{2cm}}$
- $I_{R2} = \underline{\hspace{2cm}}$
- $I_{R3} = \underline{\hspace{2cm}}$
- $I_{D1} = \underline{\hspace{2cm}}$

b) Was the assumption about  $D_1$  correct?  yes  no

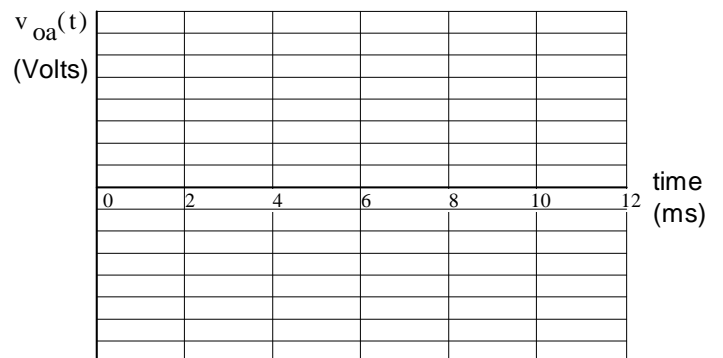
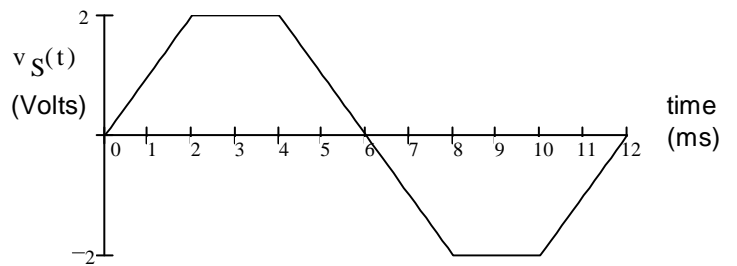
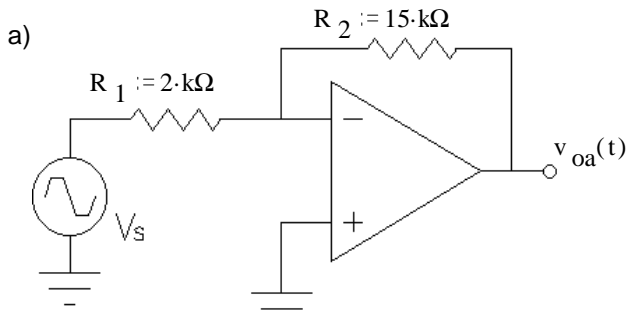
How do you know? (Specifically show a value which is or is not within a correct range.)

c) Was the assumption about  $D_2$  correct?  yes  no

How do you know?

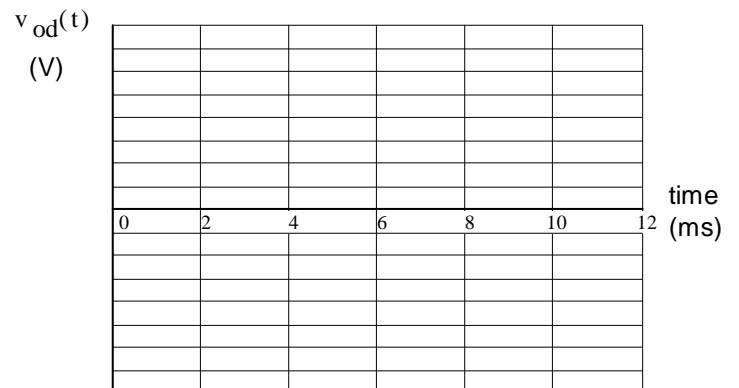
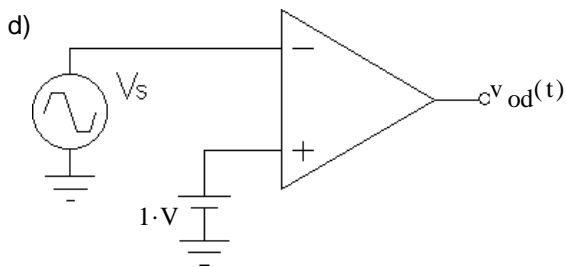
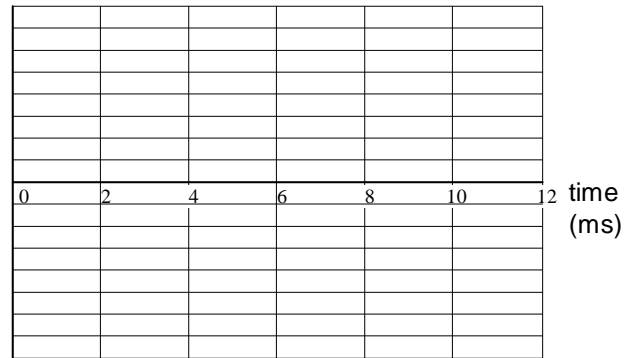
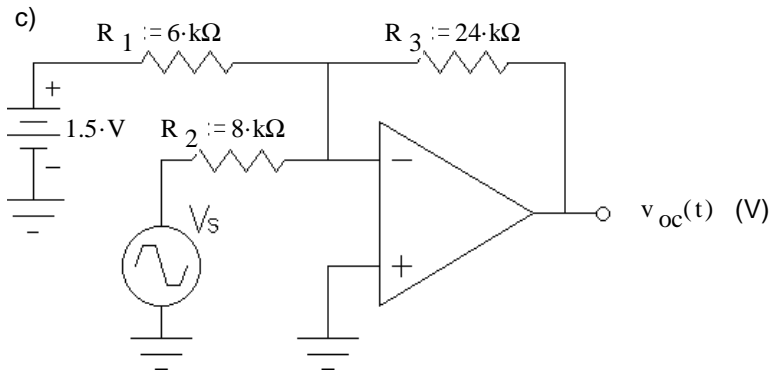
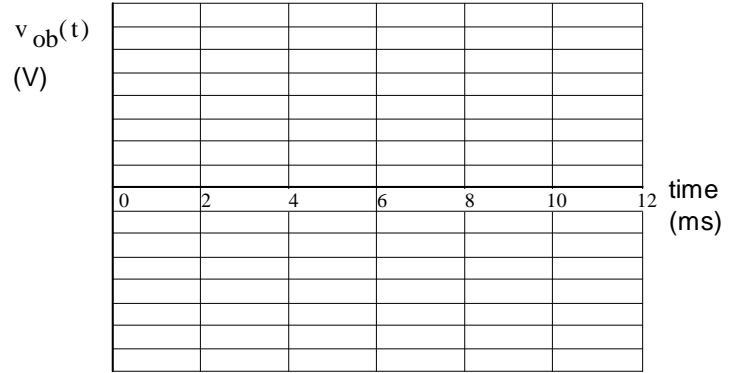
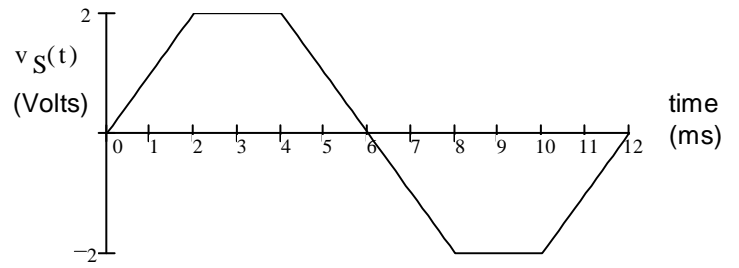
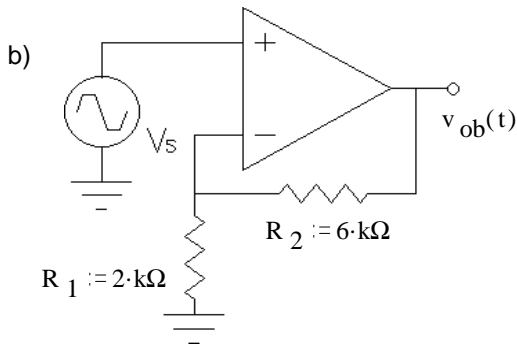


8. (28 pts) The same input signal (at right) is connected to several op-amp circuits below. Sketch the output waveform for each circuit. Clearly label important voltage levels on each output. If I can't easily make out what your peak values are, I'll assume you don't know. Don't forget to show inversions. The op-amp is connected to +12V & -12V power supplies.



**ECE2210 Final given: Fall 15 p3**

8. continued, the input is repeated at right. The op-amp is connected to +12V & -12V power supplies.



**ECE2210 Final given: Fall 15 p4**

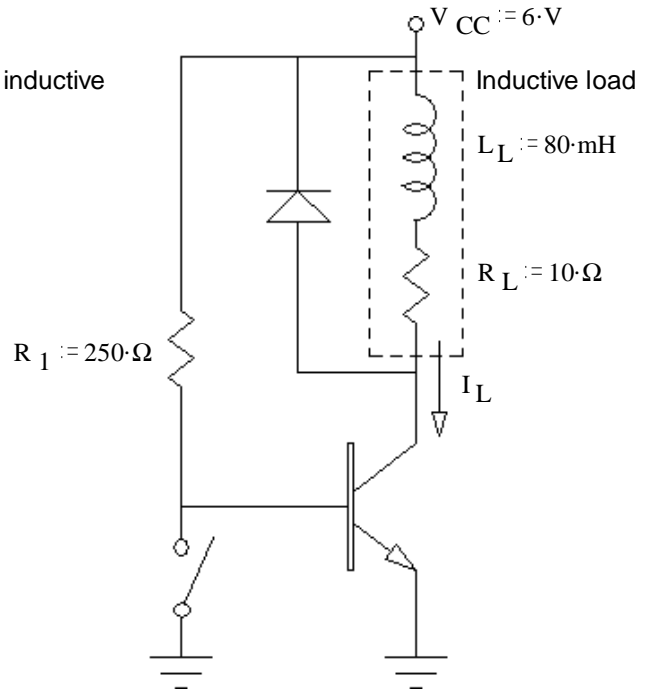
9. (24 pts) A transistor is used to control the current flow through an inductive load (in the dotted box, it could be a relay coil or a DC motor).

a)  $\beta := 20$  Assume the switch has been open for a long time and the transistor is in the active region, find  $I_L$ , and  $V_{CE}$  and  $P_Q$ .

$I_L = ?$

$V_{CE} = ?$

$P_Q = ?$



b) Was the transistor actually operating in the active region?  
yes no circle one

How do you know?  
(Specifically show a value which is or is not within a correct range.)

c) What minimum  $\beta$  would be required to achieve saturation?

d) You can't change the  $\beta$ . Find the maximum value of  $R_1$ , so that the transistor will be in saturation.  $\beta = 20$

e) The diode in this circuit conducts a significant current:

- A) never.
- B) when the switch opens.
- C) whenever the switch is open.
- D) when the switch closes.
- E) whenever the switch is closed.
- F) always.

f)  $R_1$ , is that found in part d). The switch is opened and closed a few times.

What is the maximum diode current you expect. (Answer 0 if it never conducts.)

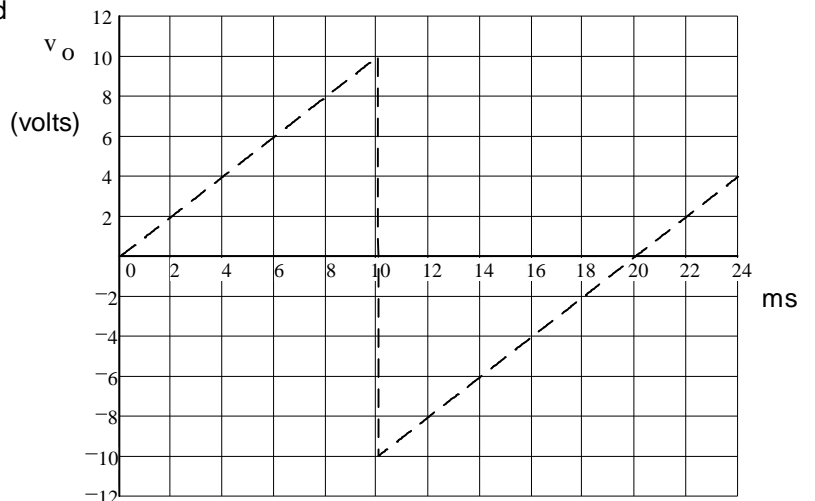
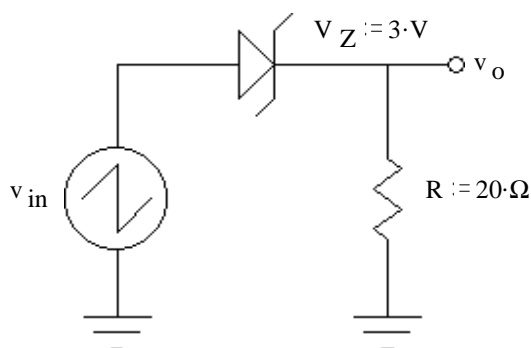
10. Do you want your grade and scores posted on the Internet?

If your answer is yes, then provide some sort of alias:

\_\_\_\_\_ otherwise, leave blank

The grades will be posted on line in pdf form in alphabetical order under the alias that you provide here. **I will not** post grades under your real name or an alias that looks like a real name or u-number. The pdf spreadsheet will show the homework, lab, and exam scores of everyone who answers here.

11. (17 pts) A voltage waveform (dotted line) is applied to the circuit shown. Accurately draw the output waveform ( $v_o$ ) you expect to see. Label important times and voltage levels.



**Answers**

1. a)  $\frac{1}{s^2 + \frac{1}{C \cdot R_2} \cdot s + \frac{1}{C \cdot L}}$  b) 2 c) 1 s = 0

2. 10·V 6·V -70·mA -210·mW

3. a)  $187.5\Omega \angle -68.78^\circ$  b)  $1.62V \angle -8.93^\circ$

c) i)  $+38.6^\circ < -30^\circ$

4. a)  $240 \cdot \text{mA} - 160 \cdot \text{mA} \cdot e^{-\frac{t}{0.113 \cdot \text{ms}}}$  b) 192·mA c) 60·μs

5. 360·W 6. a) 200·mA b) 16·V c) 1·A

7. a) 20·mA 5·mA 50·mA 35·mA

b) yes  $35 \cdot \text{mA} > 0$  c) yes  $V_{D2} = 0.3 \cdot V < 0.7V$

9. a) 424·mA 1.76·V 0.746·W

b) yes  $1.76 \cdot V > 0.2 \cdot V$

c) 27.4 d) 183·Ω e) D) f) 580·mA

