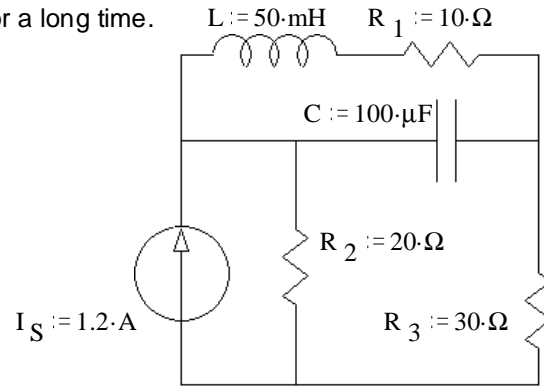


# ECE 2210/00 Exam 2 given: Spring 10 (The space between problems has been removed.)

1. (15 pts) The following circuit has been connected as shown for a long time.

Find the energy stored in the capacitor and in the inductor.  
Also show the values of the voltage(s) and current(s) necessary to answer this question.

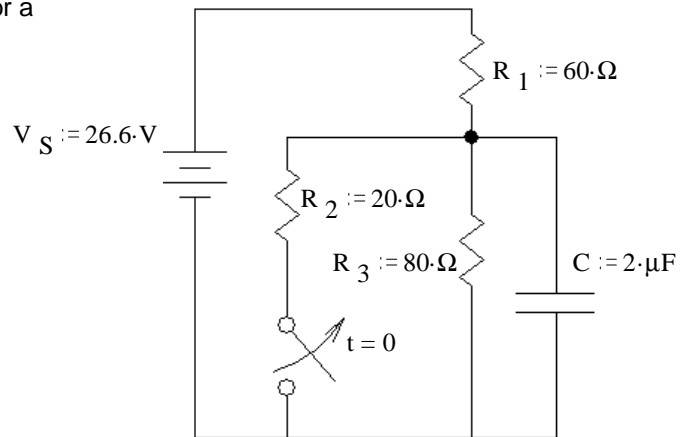


2. (24 pts) The switch has been closed (making contact) for a long time and is opened (as shown) at time  $t = 0$ .

a) Find the complete expression for  $v_C(t)$ .

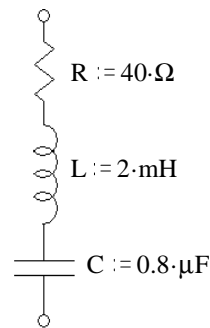
b) Find  $v_C$  at time  $t = 2\tau$ .  $v_C(2\tau) = ?$

c) At time  $t = 2\tau$  the switch is closed again.  
Will the time constant be different now?  
If yes, find the new time constant.



3. (13 pts) Find  $Z_{eq}$  in simple polar form (give me numbers & units).

$f := 3 \text{ kHz}$



4. (13 pts) Reduce the following to a single complex number in either rectangular or polar form.

$$39 \cdot e^{j67.38\text{-deg}} + \frac{1}{\left(\frac{1}{50}\right) + \frac{1}{\left(-j \cdot \frac{1}{0.048}\right)}}$$

5. (17 pts) The magnitude of the source voltage and the magnitude of the current are shown.

a) If the box contained a resistor, what would be its value?

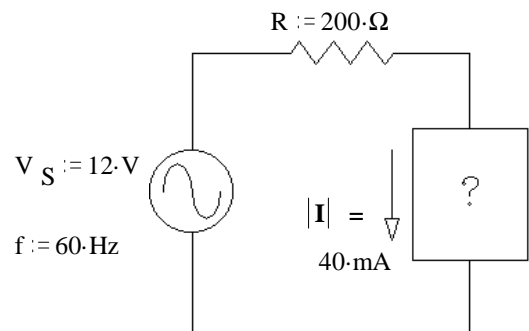
b) If the box contained an inductor, what would be its value?  $L = ?$

c) If the box contained a capacitor, what would be its value?  $C = ?$

d) If the current is leading the voltage, which component is it?

R    L    C    (circle one)

e) By how many degrees does the current lead?

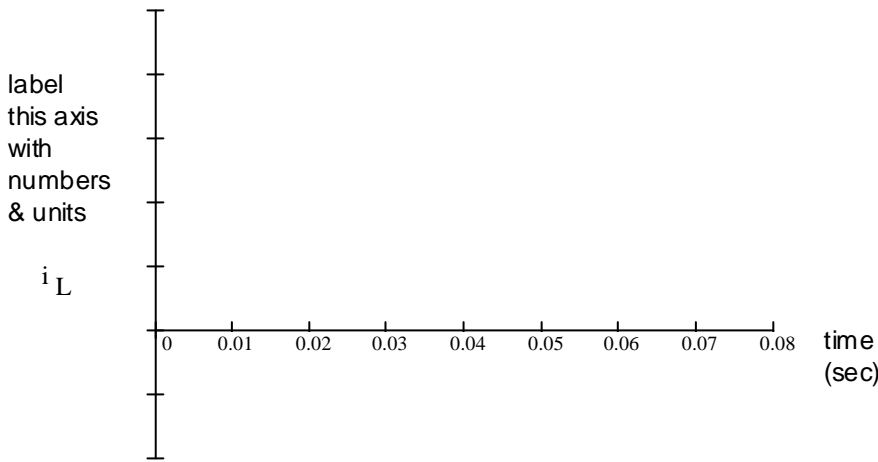
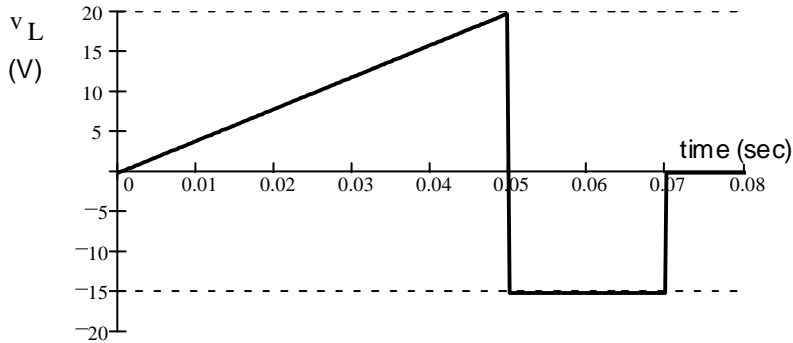


**ECE 2210/00 Exam 2 Spring 10 p2**

6. 16 pts) The voltage across an inductor is shown below. Make an accurate drawing of the inductor current. Make reasonable assumptions where necessary. Label your graph.

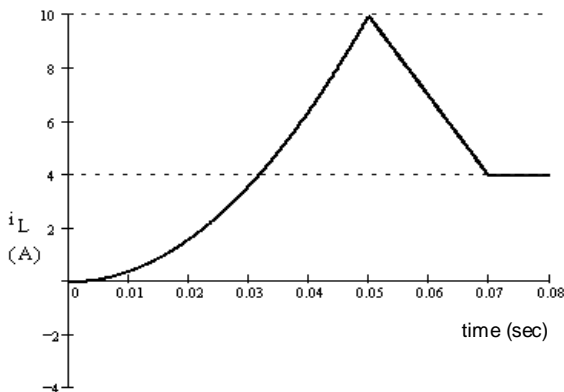
Note: You will be graded on the accuracy of your plot at 0, .05, .07, and .08 sec, so calculate those values and plot or label them carefully. Between those points your plot must simply be the correct shape.

You **MUST SHOW** how you calculate your values.  $L := 50\text{-mH}$



**Answers**

1.  $.4\text{-A}$     $4\text{-mJ}$   
 $4\text{-V}$     $0.8\text{-mJ}$    2. a)  $15.2\text{-V} - 9.6\text{-V}\cdot e^{-\frac{t}{68.6\text{-}\mu\text{s}}}$    b)  $13.9\text{-V}$    c)  $25.26\text{-}\mu\text{s}$
3.  $49.2\ \Omega / -35.6^\circ$    4.  $28.9 / 39.2^\circ$
5. a)  $100\text{-}\Omega$    b)  $593\text{-mH}$    c)  $11.9\text{-}\mu\text{F}$    d) C   e)  $48.2^\circ$
6. 0 - 50ms: curves from 0 (flat) to 10A (+slope)   50ms - 70ms: ramps down from 10 to 4A   Beyond 70ms: flat at +4A



ECE 2210 Exam 2 Am Stolp

Name \_\_\_\_\_

Scores:

Pages 1 & 2 \_\_\_\_\_ of a possible 41 pts

Pages 3 & 4 \_\_\_\_\_ of a possible 43 pts

Page 5 \_\_\_\_\_ of a possible 16 pts

Total \_\_\_\_\_ of a possible 100 pts