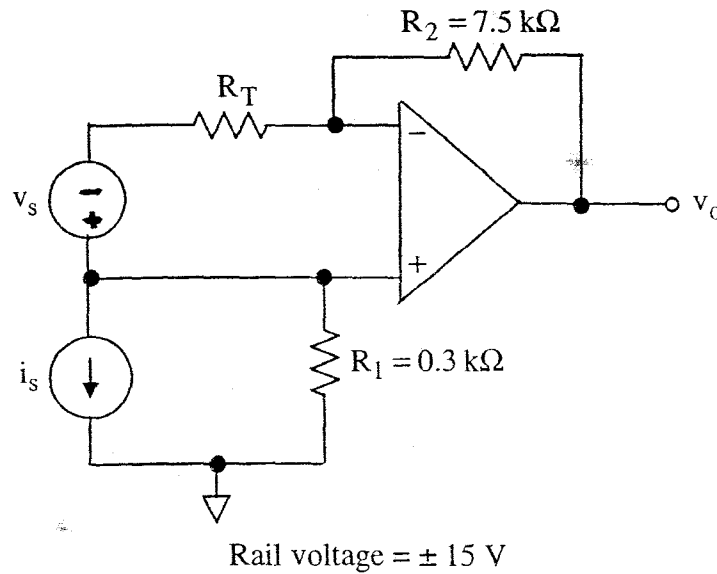


1. (75 points)



Design an electronic thermometer using the circuit diagram shown above. The voltage v_o is used to indicate temperature. Use a thermistor with a resistance described by

$$R_T = R_o e^{\beta \left(\frac{1}{T} - \frac{1}{300} \right)}$$

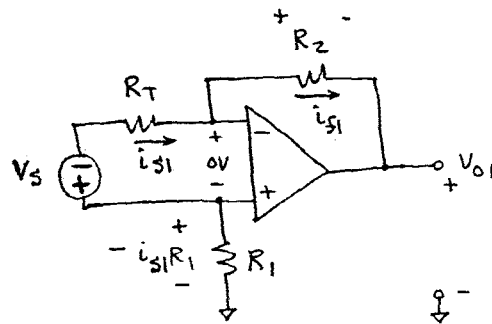
where $R_o = 2.625 \text{ k}\Omega$, $\beta = 1200^\circ \text{K}$, and T is temperature in $^\circ \text{K}$.

Pts

- 30 a. Derive a symbolic expression for v_o . The expression must contain not more than the parameters i_s , V_s , R_1 , R_2 , and R_T . **Hint: Use superposition.**
- 10 b. Calculate the numerical values of R_T (273°K) and R_T (373°K).
- 15 c. Determine a value for v_s such that $v_o(T = 373^\circ \text{K}) - v_o(T = 273^\circ \text{K}) = 1\text{V}$
- 10 d. Using your answer to (c), determine a value of i_s such that $v_o(T = 273^\circ \text{K}) = 0 \text{ V}$.
- 10 e. Using the component values you chose above, calculate v_o when $T = 323^\circ \text{K}$. Make a rough sketch of v_o vs. T on the basis of the values when $T = 273^\circ \text{K}$, 323°K , and 373°K . On the same axes, sketch the ideal linear response.

Sol'n: 1.a) Use superposition

Case I: v_s on, i_s off = open



Negative feedback \Rightarrow 0V across + and - terminals.

From v loop around v_s , R_T , and +- terminals, we have $i_{s1} = \frac{-v_s}{R_T}$.

From v loop around R_1 , +- terminals, R_2 , and v_o ,

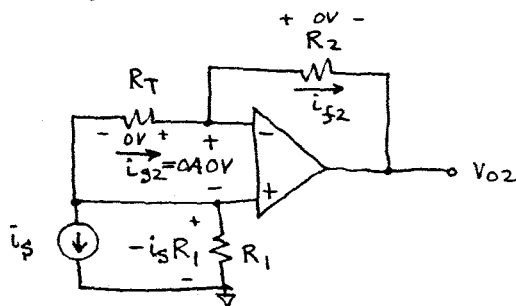
$$\text{we have } -i_{s1}R_1 + 0V - i_{f1}R_2 - v_{o1} = 0V$$

Now use $i_{s1} = i_{f1}$ and solve for v_{o1} :

$$-\frac{v_s}{R_T} R_1 + 0V - \frac{-v_s}{R_T} R_2 - v_{o1} = 0V$$

$$v_{o1} = v_s \frac{R_1 + R_2}{R_T}$$

Case II: i_s on, v_s off = wire



We 0V across $R_T \Rightarrow i_s = 0$.

Since $i_{s2} = i_{f2} = 0A$, we have $v_{o2} = v_- = v_+$

$$v_+ = -i_s R_1 \Rightarrow v_{o2} = -i_s R_1$$

Sum

$$v_o = v_{o1} + v_{o2} = v_s \frac{R_1 + R_2}{R_T} - i_s R_1$$

sol'n: 1. b)

$$R_T(273^\circ\text{K}) = 2.625 \text{ k}\Omega \text{ e}$$

$$1200^\circ\text{K} \left(\frac{1}{273^\circ\text{K}} - \frac{1}{300^\circ\text{K}} \right)$$

$$R_T(273^\circ\text{K}) \doteq 3.9 \text{ k}\Omega$$

$$R_T(373^\circ\text{K}) = 2.625 \text{ k}\Omega \text{ e}$$

$$1200^\circ\text{K} \left(\frac{1}{373^\circ\text{K}} - \frac{1}{300^\circ\text{K}} \right)$$

$$R_T(373^\circ\text{K}) \doteq 1.2 \text{ k}\Omega$$

$$\begin{aligned} \text{c) } 1\text{V} = v_o(373^\circ\text{K}) - v_o(273^\circ\text{K}) &= v_s \frac{(R_1 + R_2)}{R_T(373^\circ\text{K})} - i_s R_1 \\ &\quad - \left(v_s \frac{R_1 + R_2}{R_T(273^\circ\text{K})} - i_s R_1 \right) \\ &= v_s (R_1 + R_2) \left(\frac{1}{R_T(373^\circ\text{K})} - \frac{1}{R_T(273^\circ\text{K})} \right) \\ &= v_s \underbrace{(0.3 \text{ k}\Omega + 7.5 \text{ k}\Omega)}_{7.8 \text{ k}\Omega} \left(\frac{1}{1.2 \text{ k}\Omega} - \frac{1}{3.9 \text{ k}\Omega} \right) \\ v_s &= \frac{1.2 \text{ k}\Omega \parallel (-3.9 \text{ k}\Omega)}{7.8 \text{ k}\Omega} v = \frac{0.3 \text{ k}\Omega}{0.3 \text{ k}\Omega} \cdot \frac{4 \parallel -13\text{V}}{26} = \frac{-4 \cdot 13}{(4-13) \cdot 26} \text{ V} \end{aligned}$$

$$v_s = \frac{2}{9} \text{ V}$$

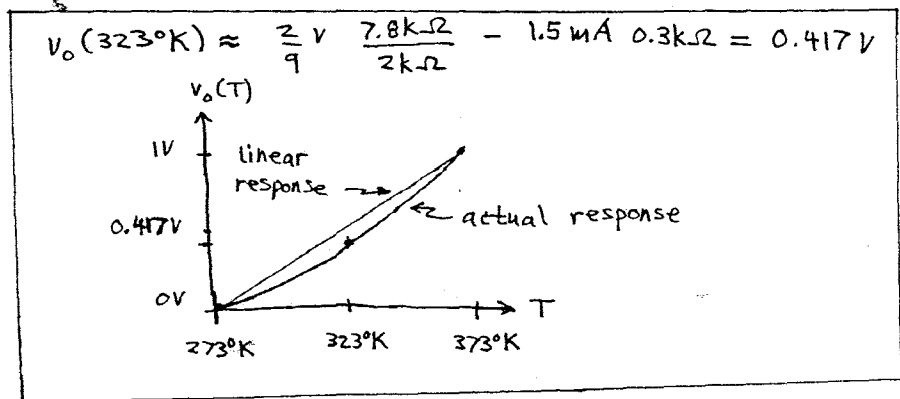
$$\text{d) } 0\text{V} = v_o(273^\circ\text{K}) = v_s \frac{R_1 + R_2}{R_T(273^\circ\text{K})} - i_s R_1 = \frac{2}{9} \text{ V} \frac{7.8 \text{ k}\Omega}{3.9 \text{ k}\Omega} - i_s 0.3 \text{ k}\Omega$$

$$i_s 0.3 \text{ k}\Omega = \frac{4}{9} \text{ V} \Rightarrow i_s = \frac{4}{9} \frac{1\text{V}}{0.3 \text{ k}\Omega} = \frac{4}{2.7} \text{ mA}$$

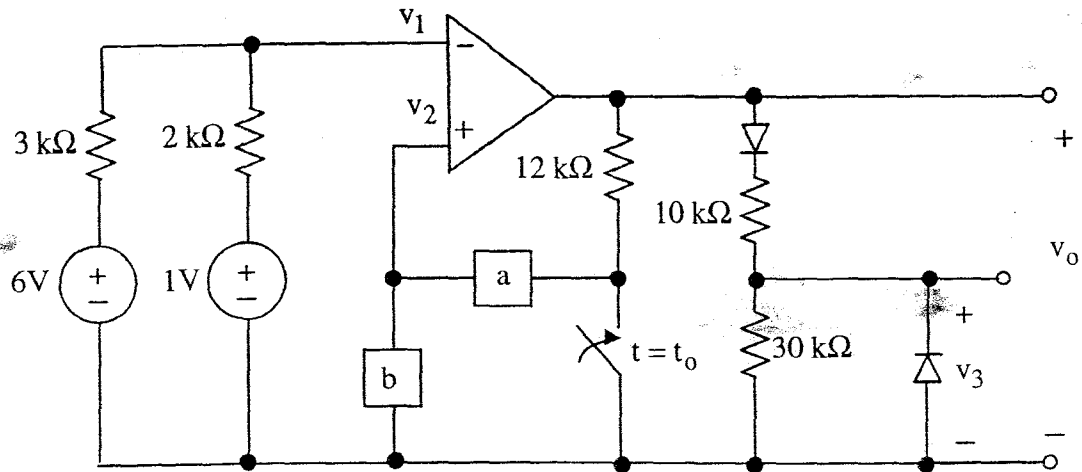
$$i_s \doteq 1.48 \text{ mA} \approx 1.5 \text{ mA}$$

$$\text{e) } R_T(323^\circ\text{K}) = 2.625 \text{ k}\Omega \text{ e} \quad 1200^\circ\text{K} \left(\frac{1}{323^\circ\text{K}} - \frac{1}{300^\circ\text{K}} \right) = 1.97 \text{ k}\Omega \approx 2 \text{ k}\Omega$$

$$v_o(323^\circ\text{K}) \approx \frac{2}{9} \text{ V} \frac{7.8 \text{ k}\Omega}{2 \text{ k}\Omega} - 1.5 \text{ mA} \cdot 0.3 \text{ k}\Omega = 0.417 \text{ V}$$

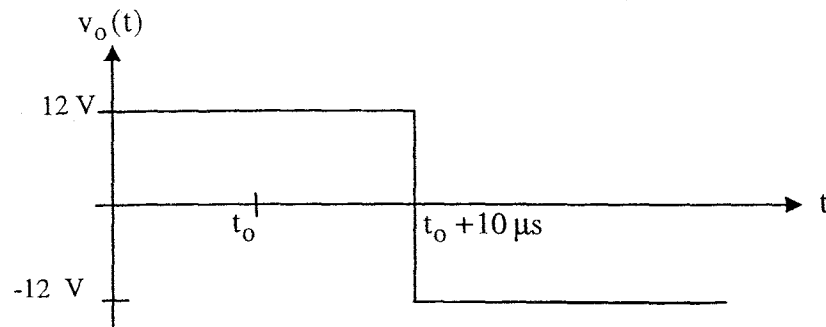


2. (65 points)



Rail voltages = ± 12 V

After being open for a long time, the switch closes at $t = t_0$.



Pts

- 35 a. Choose either an R or L to go in box a and either an R or L to go in box b to produce the $v_o(t)$ shown above. Specify which element goes in each box and its value.
- 5 b. Sketch $v_1(t)$, showing numerical values appropriately.
- 15 c. Sketch $v_2(t)$, showing numerical values appropriately.
- 10 d. Sketch $v_3(t)$. Show numerical values for $t < t_0$, for $t_0 < t < t_0 + 10 \mu\text{s}$, and for $t_0 + 10 \mu\text{s} < t$. Use the ideal model of the diode: when forward biased, its resistance is zero; when reverse biased, its resistance is infinite.

Explain your work carefully.

sol'n: 2.a) Ignore diode and resistor network on output (since it doesn't affect v_o).

For $t < t_0$, $v_o = +12V \Rightarrow v_2 > v_1$.

Calculate v_1 using node-v method: $\frac{v_1 - 6V}{3k\Omega} + \frac{v_1 - 1V}{2k\Omega} = 0A$

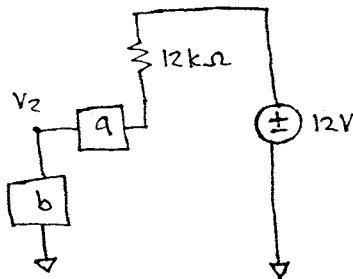
$$v_1 \left(\frac{1}{3k\Omega} + \frac{1}{2k\Omega} \right) = \frac{6V}{3k\Omega} + \frac{1V}{2k\Omega}$$

mult both sides by $6k\Omega$

$$v_1 (2+3) = 6V \cdot 2 + 1V \cdot 3 = 15V, \quad v_1 = \frac{15V}{5} = 3V$$

So we need $v_2 > 3V$.

Circuit model: $v_o = 12V$, switch open



If we have an L, it will be equivalent to a wire.

Consider possibilities:

case I: $a = L$ and $b = L$ $L = \text{wire}$

$v_2 = 0V$ from v divider

Doesn't work.

case II: $a = R$ and $b = L = \text{wire}$

$v_2 = 0V$ from v divider

Doesn't work.

case III: $a = R_1$ and $b = R_2$

We can choose R_1 and R_2 to achieve

$v_2 > 3V$, but we cannot get a delay in v_o dropping from $+12V$ to $-12V$.

case IV: $a = L$ and $b = R$

Since $L = \text{wire}$ and we can pick R , we can achieve $v_2 > 3V$. When switch moves, the L continues to carry same current initially. Thus, $v_2 > v_1$ is sustained for delay. Should work.

sol'n: 2.a) cont.

When switch closes, we have RL circuit that determines v_2 . Time constant $\tau = L/R$.

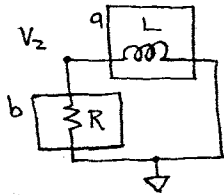
Output v_o drops when v_2 drops below 3V.

As $t \rightarrow \infty$, the L in 'a' acts like a wire and the switch is closed $\Rightarrow v_2(t \rightarrow \infty) = 0V$

Without additional constraints, we may choose any v_2 between 3V and 12V. one choice is

$$v_2(0^-) = 6V. \text{ Using v-divider of } 12k\Omega \text{ and 'b', } \boxed{b = 12k\Omega}$$

We want $v_2(t = 10\mu s) = 3V$ so v_o drops at time $t_0 + 10\mu s$. (Assume $t_0 = 0s$)

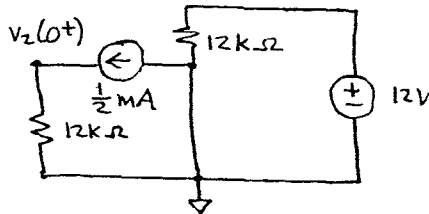


$$\begin{aligned} v_2(t > 0) &= v_2(t \rightarrow \infty) + [v_2(0^+) - v_2(t \rightarrow \infty)] e^{-t/\tau} \\ &= 0V + [v_2(0^+) - 0V] e^{-t/\tau} \\ &= v_2(0^+) e^{-t/\tau}, \text{ Now find } v_2(0^+). \end{aligned}$$

Consider $t = 0^-$: $L = \text{wire}$ $R = 12k\Omega$

$$i_L(0^-) = \frac{12V}{12k\Omega + 12k\Omega} = \frac{1}{2} \text{ mA}$$

$t = 0^+$: $L = i$ src where $i_L(0^+) = i_L(0^-) = \frac{1}{2} \text{ mA}$



$$v_2(0^+) = \frac{1}{2} \text{ mA} \cdot 12k\Omega$$

$$v_2(0^+) = 6V$$

$$v_2(t > 0) = 6V e^{-t/\tau}$$

We want $v_2(10\mu s) = 3V = 6V e^{-10\mu s/\tau}$

$$\frac{3V}{6V} = \frac{1}{2} = e^{-10\mu s/\tau}, \quad \ln \frac{1}{2} = -10\mu s/\tau$$

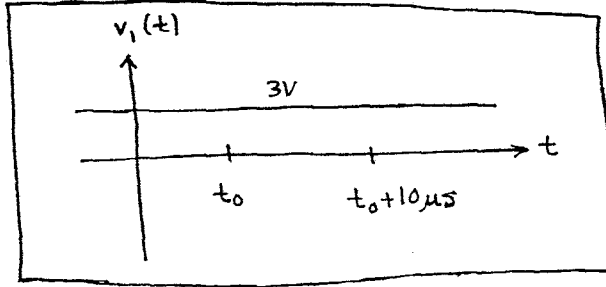
$$\tau = \frac{-10\mu s}{\ln \frac{1}{2}} = \frac{10\mu s}{\ln 2} = 14.4\mu s = \frac{L}{R} = \frac{L}{12k\Omega}$$

$$L = 14.4\mu s \cdot 12k\Omega = 173 \text{ mH}$$

Summary:

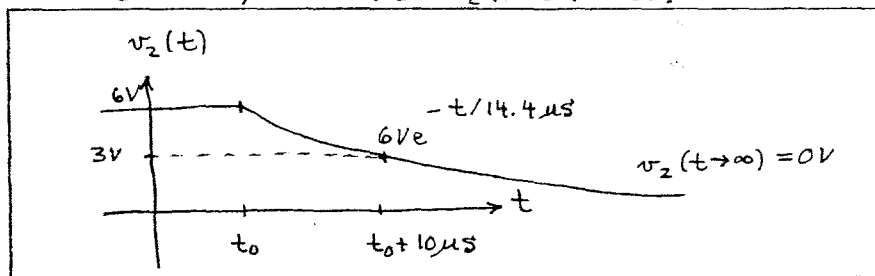
$$\boxed{\begin{aligned} a &= L = 173 \text{ mH} \\ b &= R = 12k\Omega \end{aligned}}$$

Soln: 2.b) As shown in soln for (a), $v_1(t) = 3V$. It never changes.

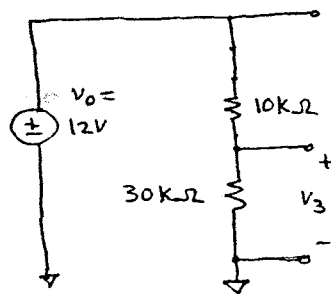


c) From soln to (a), we have $v_2(t > 0) = 6Ve^{-t/14.4\mu s}$.

For $v_2(t < 0)$, we have $v_2(t < 0) = 6V$.

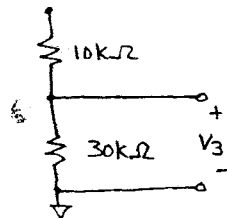


d) When $v_0 > 0V$, top diode = wire, bottom diode = open.

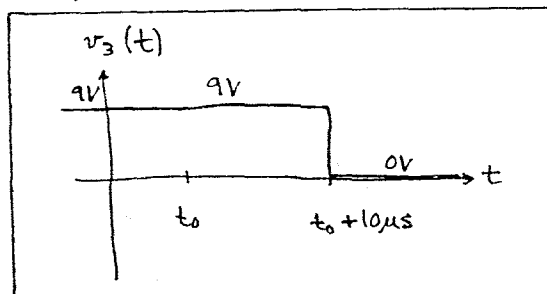


$$v_3 = 12V \cdot \frac{30k\Omega}{30k\Omega + 10k\Omega} = 9V$$

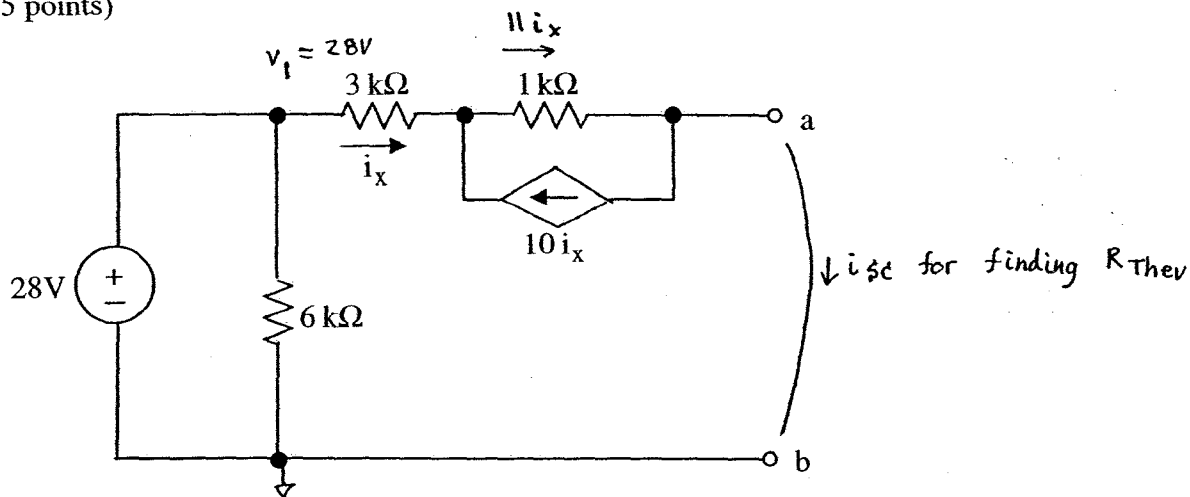
When $v_0 < 0V$, top diode = open, bottom diode doesn't matter since no current



$v_3 = 0V$ since no current flowing



3. (35 points)



Pts

- 25 a. Find the Thevenin equivalent of the above circuit relative to terminals a and b.
- 5 b. If we attach R_L to terminals a and b, find the value of R_L that will absorb maximum power.
- 5 c. Calculate the value of that maximum power absorbed by R_L .

sol'n: a) The $6k\Omega$ resistor is across the $28V$ source, so it may be ignored.

For V_{Thev} we use $V_{a,b}$ with no load. Since no current flows out of the 'a' terminal, $i_x = 0$.

$\therefore 10i_x = 0A$ and v drop across $3k\Omega$ and $1k\Omega$ is zero.

$\therefore V_{a,b} = 28V$ from v src $\therefore V_{Thev} = 28V$

Now find i_{sc} flowing in wire connected from a to b.

From current sum at node on left end of $1k\Omega$, we

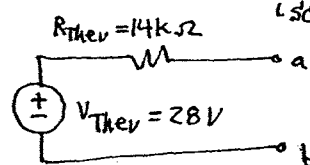
have current $11i_x$ flowing in $1k\Omega$ resistor.

Using v drops for $3k\Omega$ and $1k\Omega$, we must have

$$i_x \cdot 3k\Omega + 11i_x \cdot 1k\Omega = 28V \quad \text{or} \quad 14k\Omega \cdot i_x = 28V$$

$$\text{or } i_x = 2mA. \quad \text{Since } i_{sc} = i_x \text{ and } R_{Th} = \frac{V_{Th}}{i_{sc}},$$

$$R_{Th} = \frac{28V}{2mA} = 14k\Omega$$

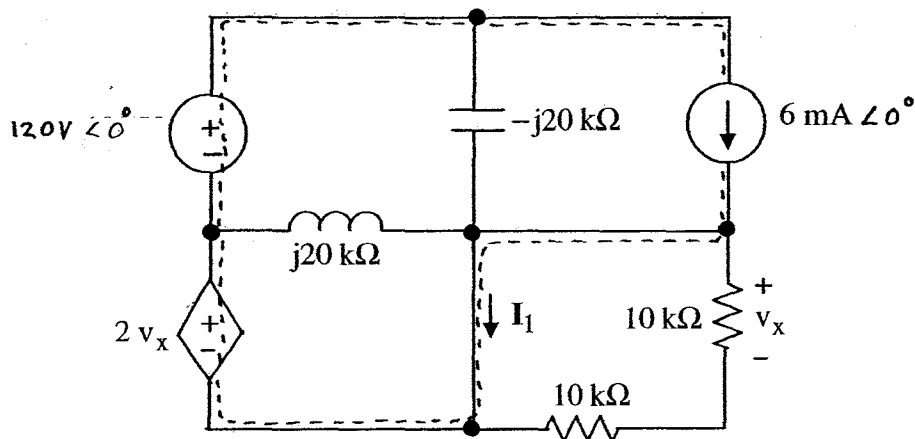


sol'n: 3. b) Max pwr when $R_L = R_{Thev} = 14k\Omega$

$$3. c) \text{ Max pwr} = \frac{V_{Thev}^2}{4R_{Thev}} = \frac{(20V)^2}{4 \cdot 14k\Omega} = 7(2)W$$

$$\text{Max pwr} = 14 \text{ units; mW}$$

4. (25 points)



Pts

- 20 a. A frequency-domain circuit is shown above. Write the value of phasor I_1 in polar form.
- 5 b. Given $\omega = \pi$ rad/s, write a numerical time-domain expression for $i_1(t)$, the inverse phasor of I_1 .

sol'n: a) Since the two $10k\Omega$ resistors are shorted by wires.
 \therefore There is no v drop across the $10k\Omega$ resistors,
 and $v_x = 0V$.

Thus, the $2v_x$ dependent source = $0V$ = wire
Superposition Case I: $6mA$ on, $120V$ off = wire.

It follows that all of the $6mA$ from the independent current source flows in the wires (shown as dashed lines above).

$$\therefore I_{11} = 6mA \angle 0^\circ$$

Case II: $120V$ on, $6mA$ off = open circuit
 we observe that the $-j20k\Omega$ is directly across the $120V$ source, given the wires shown as dashed lines.

$$\therefore I_{12} = \frac{120V \angle 0^\circ}{-j20k\Omega} = j6mA = 6mA \angle 90^\circ$$

$$\text{Thus, } I_1 = I_{11} + I_{12} = 6mA \cdot (1+j)$$

$$\text{or } I_1 = \sqrt{2} \cdot 6mA \angle 45^\circ$$

$$b) i_1(t) = \sqrt{2} \cdot 6mA \cos(\pi t + 45^\circ)$$