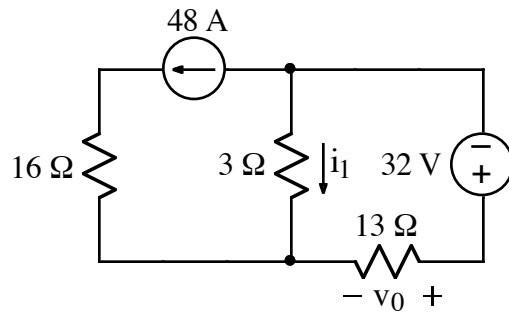
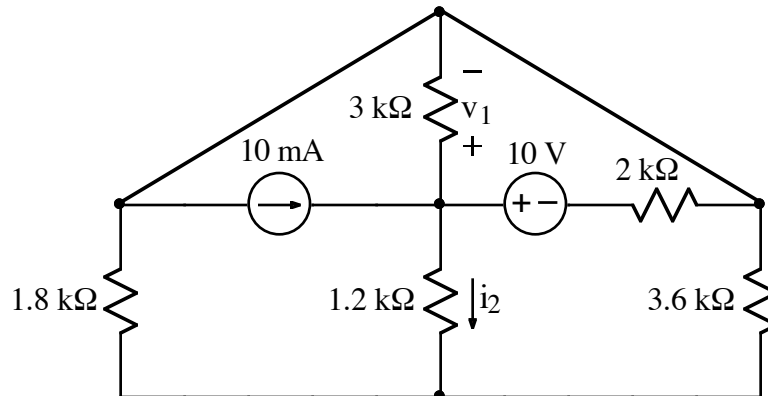


1.



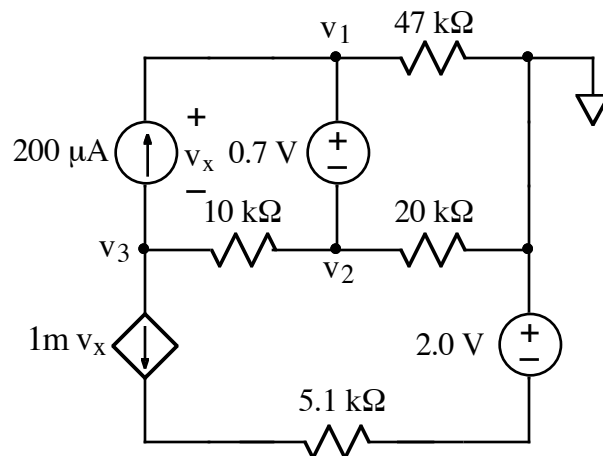
Use the node-voltage method to find  $i_1$  and  $v_0$ .

2.



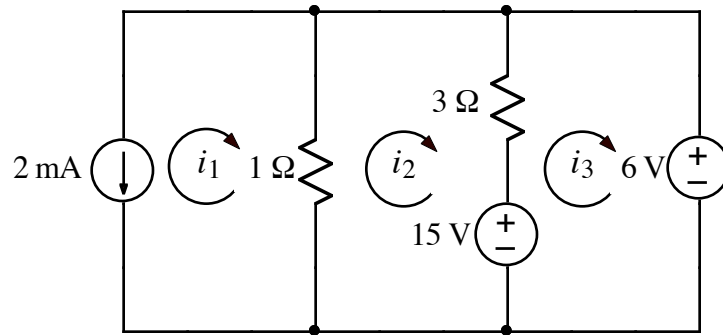
- Use the node-voltage method to calculate  $v_1$  and  $i_2$ .
- Calculate the power in the  $2\text{ k}\Omega$  resistor.

3.



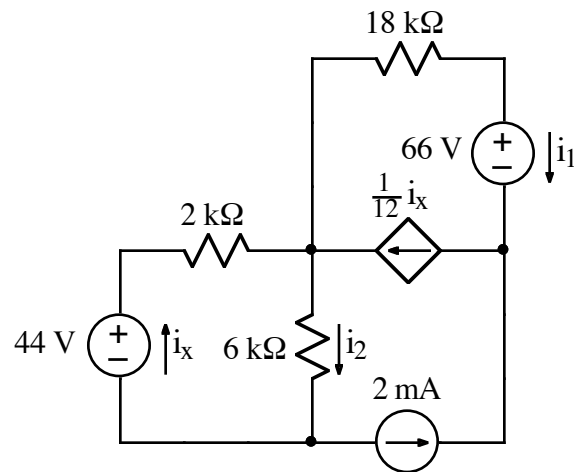
Use the node-voltage method to find  $v_1$ ,  $v_2$ , and  $v_3$ .

4.



Use the mesh-current method to find  $i_1$ ,  $i_2$ , and  $i_3$ .

5.



- a) Use the mesh-current method to find  $i_1$  and  $i_2$ .
- b) Find the power dissipated by the dependent source.