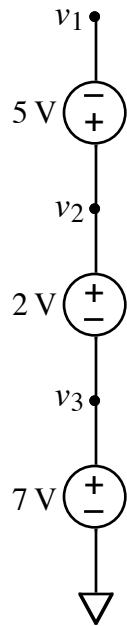
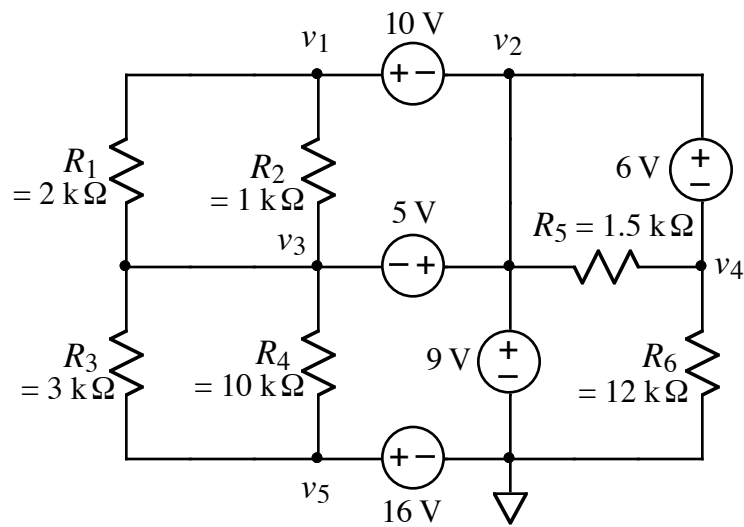


1.



Find the absolute voltages at all the labeled nodes in the above circuit.

2.

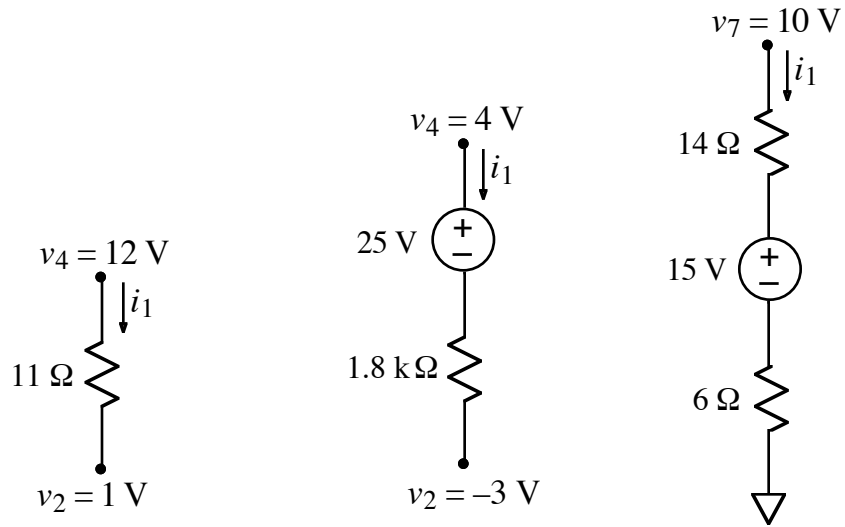


Find the absolute voltages at all the labeled nodes in the above circuit.

3.

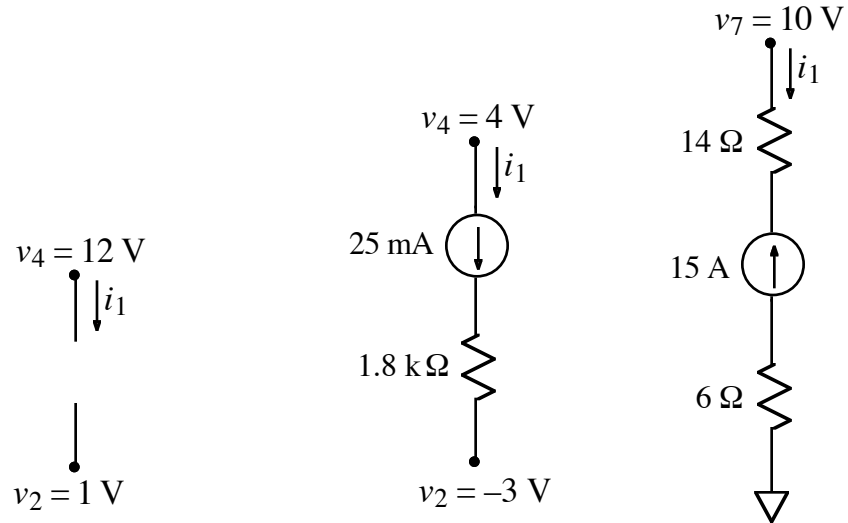
Using Ohm's law and the node voltages found in problem 2, find the currents for all the resistors in problem 2.

4.



Find the value of current,  $i_1$ , for each of the above circuits.

5.



Find the value of current,  $i_1$ , for each of the above circuits.