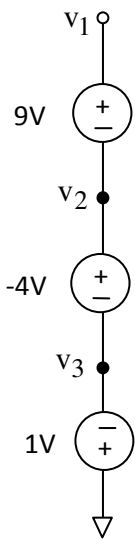
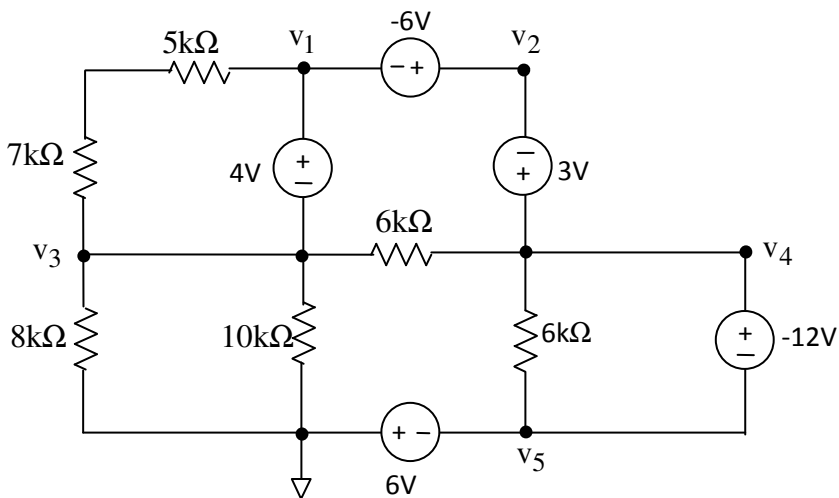


1.



Find the absolute voltages at all the labeled nodes in the circuit at the left. Hint: Start at the bottom and work upwards.

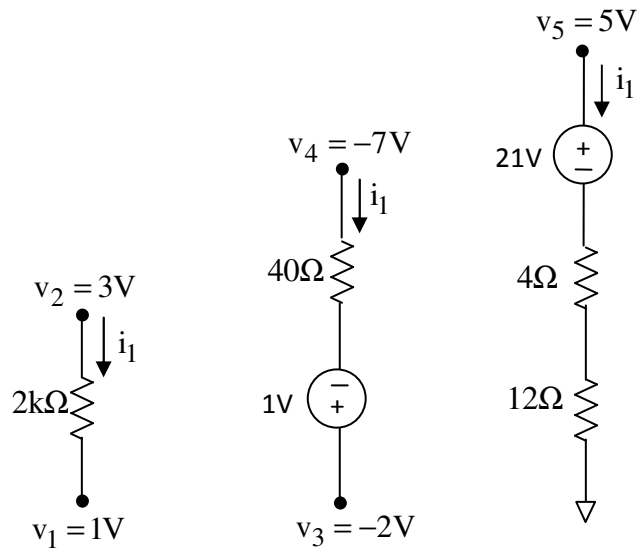
2.



Find the absolute voltages at all the labeled nodes in the above circuit. Hint: This may be done by inspection.

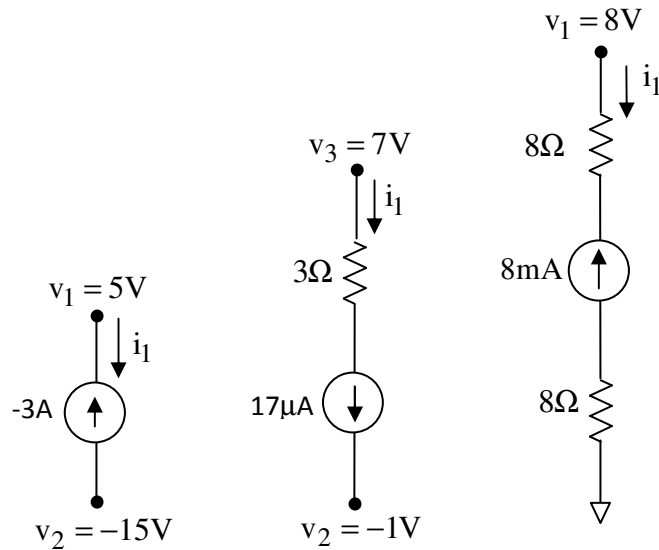
3. Using Ohm's law and the node voltages found in Problem 2, find the currents for all the resistors in Problem 2.

4.



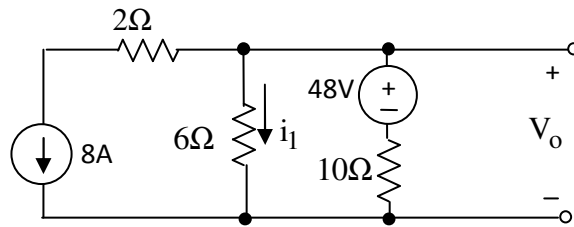
Find the value of current, i_1 , for each of the above circuits.

5.



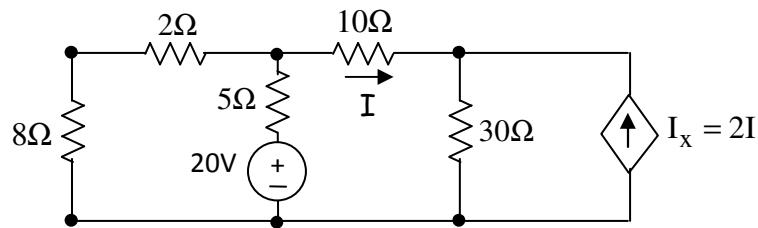
Find the value of current, i_1 , for each of the above circuits.

6.



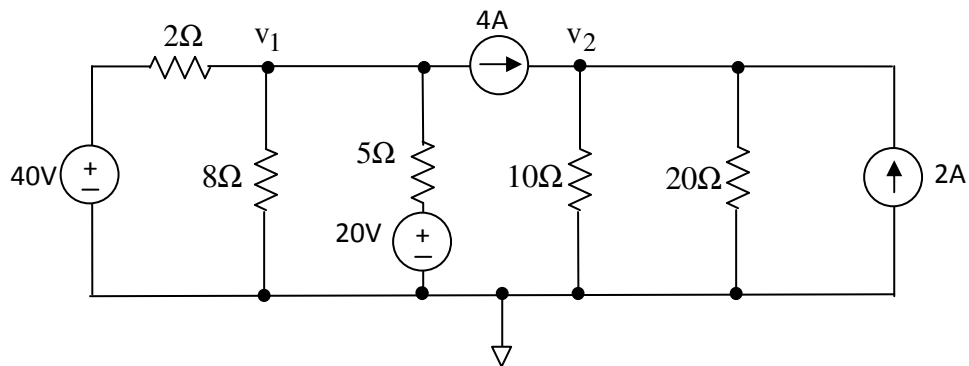
Use the node-voltage method to find i_1 and V_o .

7.



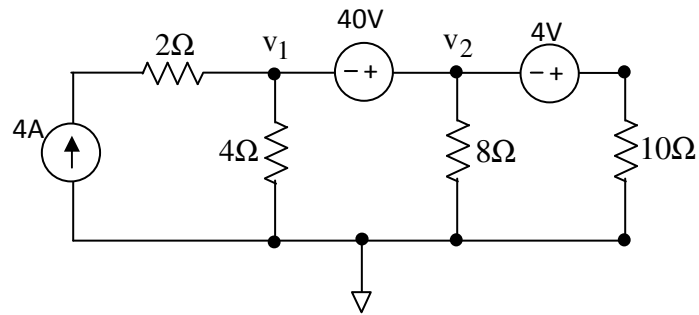
Use the node-voltage method to determine I_x .

8.



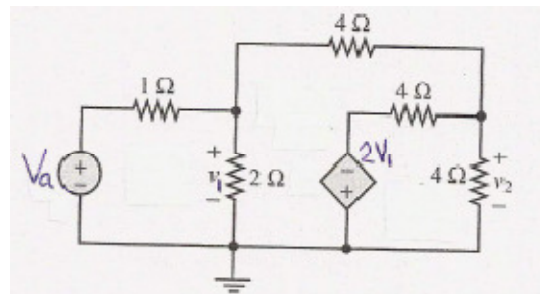
- Use the node-voltage method to find v_1 and v_2 .
- Determine the amount of power supplied by the voltage source.

9.



Use the node-voltage method to find v_1 and v_2 .

10.



Use the node-voltage method to find v_1 and v_2 .