

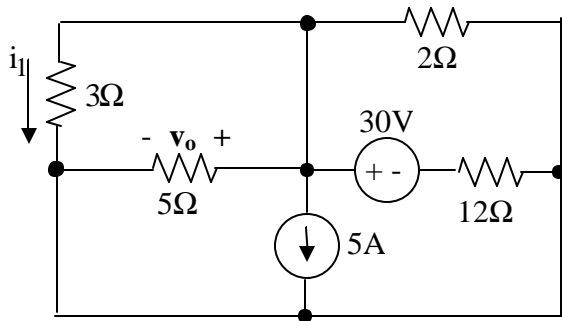
UNIVERSITY OF UTAH
ELECTRICAL AND COMPUTER ENGINEERING DEPARTMENT

ECE 1270

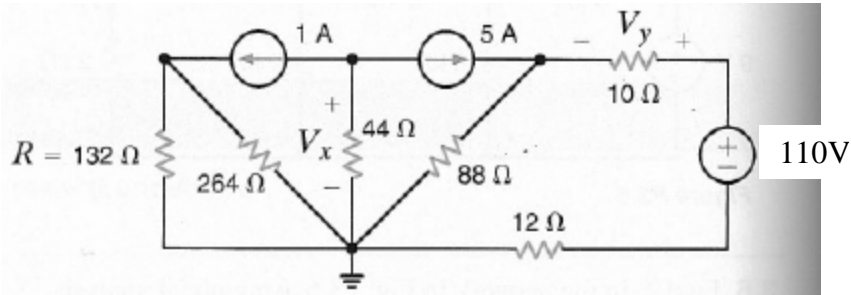
HOMEWORK #3

Summer 2007

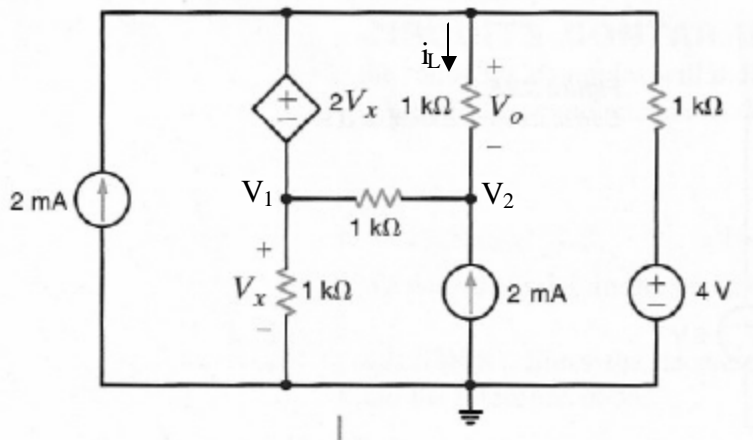
1. Use node-voltage method to find i_l and v_o .



2. a. Use the node-voltage method to find V_x and V_y .
b. Calculate the power dissipated by the 44Ω resistor.



3. Use the node voltage to find V_1 and V_2 . Then find i_L .



4. a. Use the mesh-current method to find i_1 .
b. Find the power dissipated by the dependent current source.

