

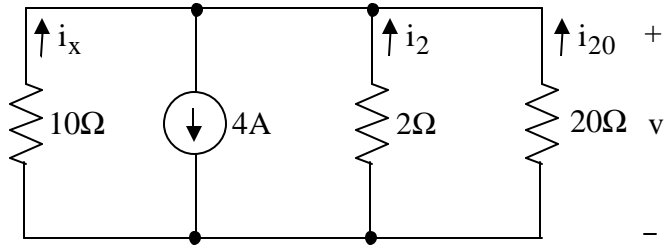
UNIVERSITY OF UTAH
ELECTRICAL AND COMPUTER ENGINEERING DEPARTMENT

ECE 1270

HOMEWORK #1

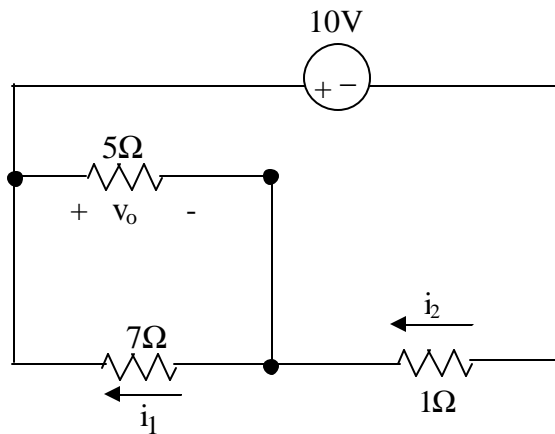
Spring 2008

1.



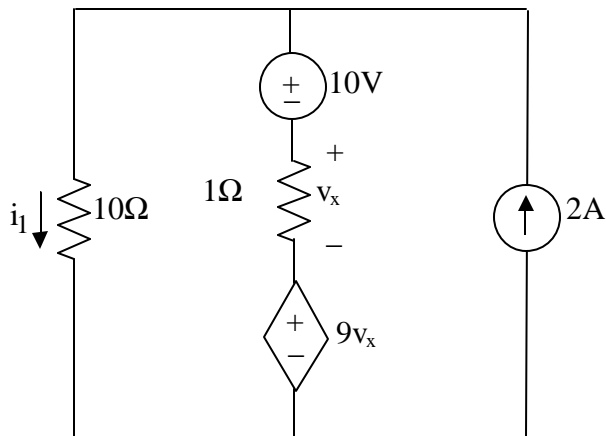
- (a) Calculate i_x , i_2 , and v .
- (b) Find the power dissipated for every component including the current source.

2.



Calculate i_1 , i_2 , and v_o .

3.



Find v_x , i_1 , and the power dissipated by the dependent source.