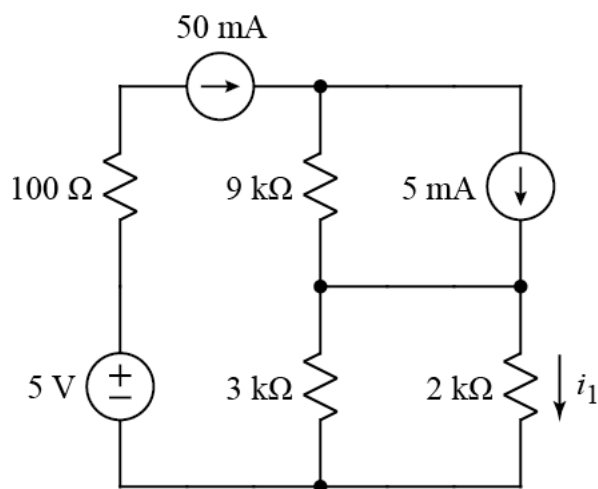


Ex:



Calculate i_1 .

SOL'N:

I-divider:

$$i_1 = \frac{50m(3k)}{3k + 2k}$$

$$i_1 = \frac{50m(3k)}{5k}$$

$$i_1 = 30mA$$

Calculate i_1 .