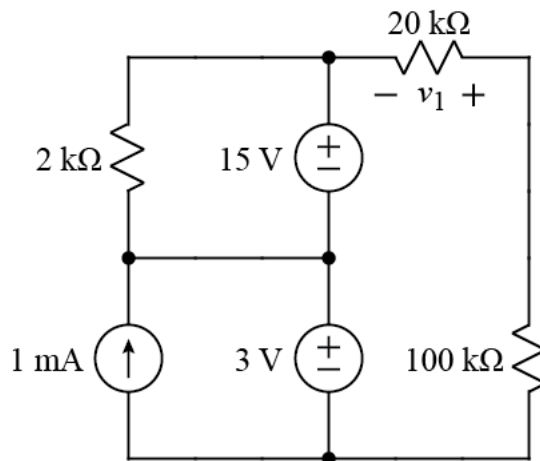


Ex:



Calculate v_1 .

SOL'N:

V-divider:

$$V_1 = \frac{-(15-3)20K}{20K+100K}$$
$$V_1 = \frac{-12(20K)}{120K}$$

$V_1 = -2V$

