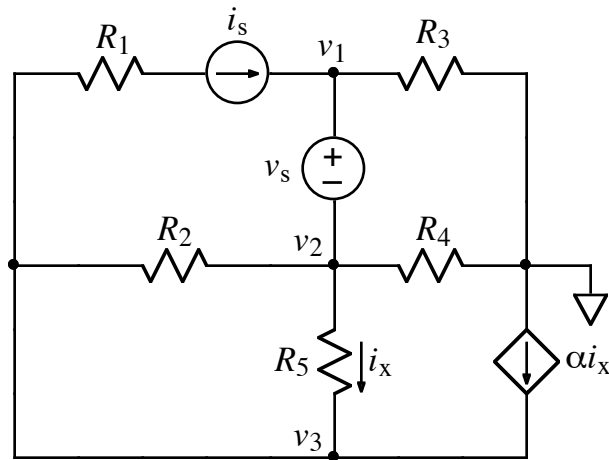


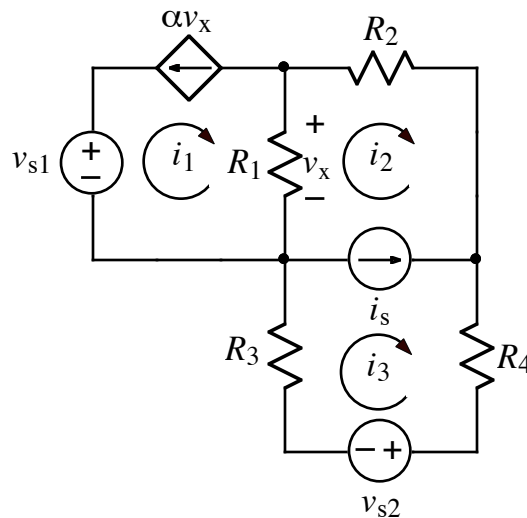
1.



For the circuit shown, write three independent equations for the node-voltages, v_1 , v_2 , and v_3 . The quantity i_x must not appear in the equations.

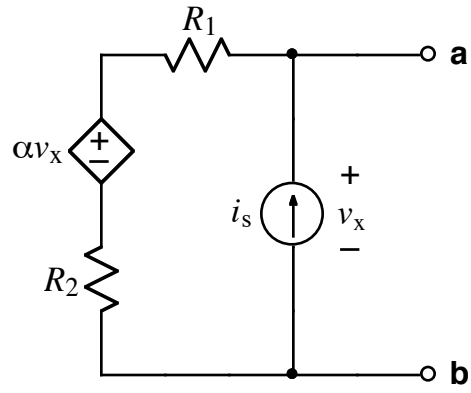
2. Make at least one consistency check (other than a units check) on your expression for problem 1. In other words, choose component values that make the values of v_1 , v_2 , and v_3 obvious, and verify that your answer to problem 1 gives these values. Specify your consistency check by listing a numerical value for every source and resistor.

3.



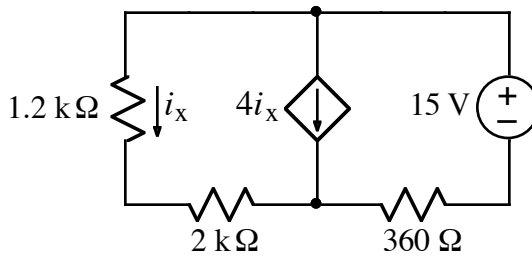
For the circuit shown, write three independent equations for the three mesh currents, i_1 , i_2 , and i_3 . The quantity v_x must not appear in the equations.

4.



Find the Thevenin equivalent circuit at terminals a-b. v_x must not appear in your solution. **Hint:** use the node-voltage method.

5.



Calculate the power dissipated by the dependent current source, (labeled $4i_x$).