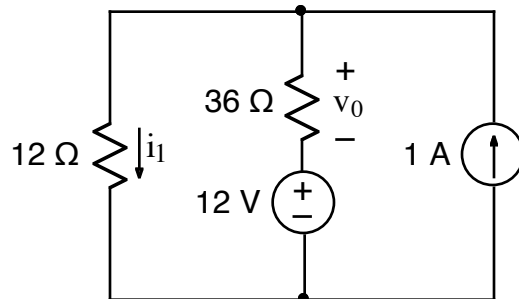
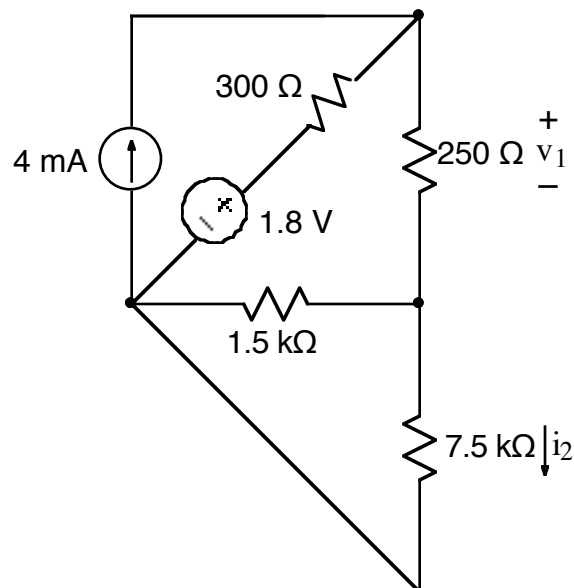


1.



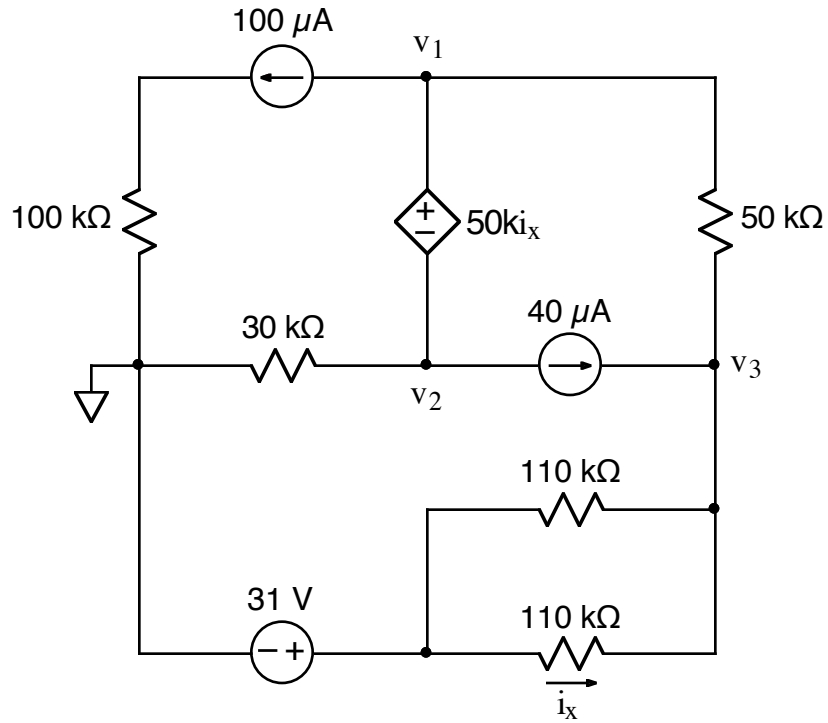
Use the node-voltage method to find i_1 and v_0 .

2.



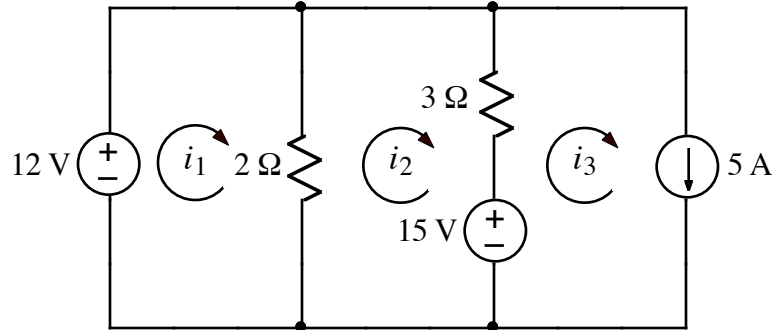
- Use the node-voltage method to calculate v_1 and i_2 .
- Calculate the power in the $1.5\ \text{k}\Omega$ resistor.

3.



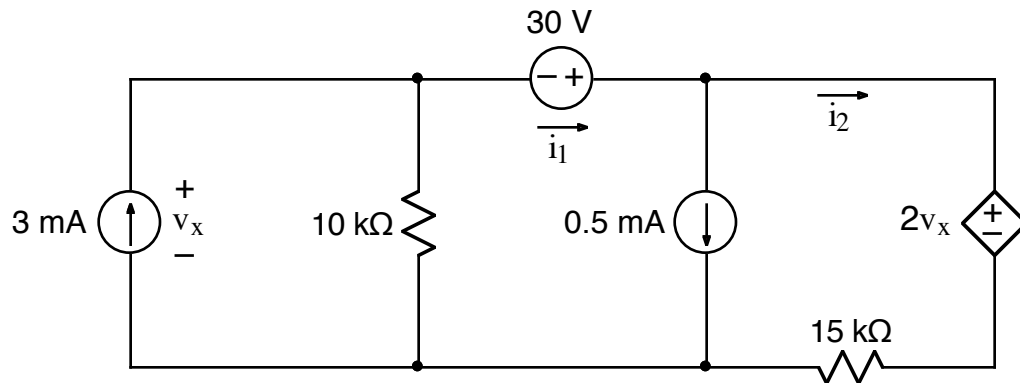
Use the node-voltage method to find v_1 , v_2 , and v_3 .

4.



Use the mesh-current method to find i_1 , i_2 , and i_3 .

5.



- Use the mesh-current method to find i_1 and i_2 .
- Find the power dissipated by the dependent source.