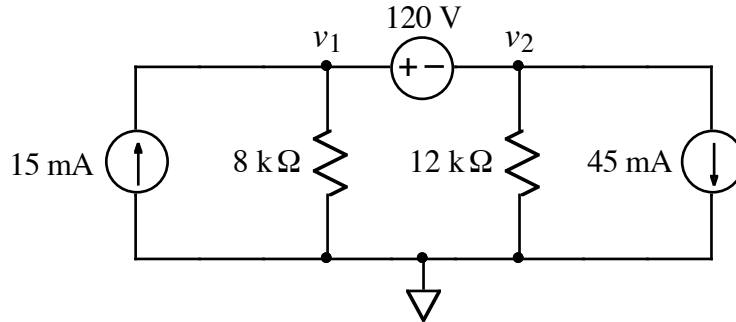


Ex:



Use the node-voltage method to find  $v_1$  and  $v_2$ .

**SOL'N:** We have only a voltage source between the nodes labeled  $v_1$  and  $v_2$ . Thus, we have a supernode. We draw a bubble around these two nodes, (with the 120 V source inside), and we set the sum of currents flowing out of the bubble equal to zero:

$$-15 \text{ mA} + \frac{v_1}{8 \text{ k}\Omega} + \frac{v_2}{12 \text{ k}\Omega} + 45 \text{ mA} = 0 \text{ A}$$

We obtain a second equation for the supernode from the voltage relationship between the nodes.

$$v_1 - v_2 = 120 \text{ V}$$

**NOTE:** The node next to the plus sign of the 120 V source,  $v_1$ , is added in this equation and the node next to the minus sign of the 120 V source,  $v_2$ , is subtracted in this equation.

We solve these two equations in two unknowns. Here, we eliminate  $v_2$  first.

$$v_2 = v_1 - 120 \text{ V}$$

Substituting into the first equation gives one equation with one unknown.

$$-15 \text{ mA} + \frac{v_1}{8 \text{ k}\Omega} + \frac{v_1 - 120 \text{ V}}{12 \text{ k}\Omega} + 45 \text{ mA} = 0 \text{ A}$$

We collect terms multiplying  $v_1$  and put constant terms on the right side.

$$v_1 \left( \frac{1}{8 \text{ k}\Omega} + \frac{1}{12 \text{ k}\Omega} \right) = 15 \text{ mA} - 45 \text{ mA} + \frac{120 \text{ V}}{12 \text{ k}\Omega}$$

---

or

$$v_1 \left( \frac{1}{8 \text{ k}\Omega} + \frac{1}{12 \text{ k}\Omega} \right) = -20 \text{ mA}$$

or

$$24 \text{ k}\Omega \cdot v_1 \left( \frac{1}{8 \text{ k}\Omega} + \frac{1}{12 \text{ k}\Omega} \right) = -20 \text{ mA} \cdot 24 \text{ k}\Omega$$

or

$$v_1(3 + 2) = -480 \text{ V}$$

or

$$v_1 = \frac{-480 \text{ V}}{5} = -96 \text{ V}$$

Using the second of the original equations, we find  $v_2$ .

$$v_2 = v_1 - 120 \text{ V} = -96 \text{ V} - 120 \text{ V} = -216 \text{ V}$$